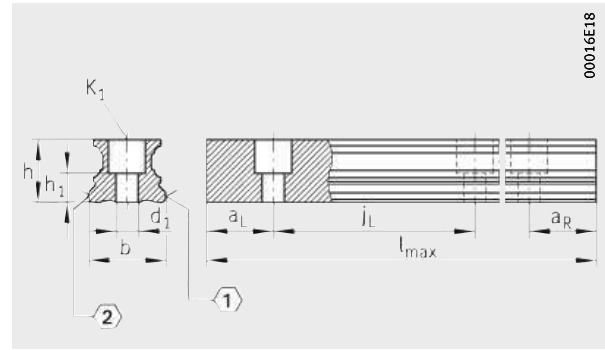


Four-row linear recirculating ball bearing and guideway assemblies

Guideways and closing methods for
KUVE...-B
KUVE...-W



TKVD

Dimension table · Dimensions in mm

Designation	For linear guidance system	Mass m ≈ kg/m	Closing plug ¹⁾				Covering strip ²⁾					
			Plastic		Brass		Adhesive bonded	Clip fit Convex	Retaining plate			
			one-piece	two-piece ⁶⁾	one-piece	two-piece						
TKVD15-B	KUVE15-B	1,44	KA07-A-TN	KA07-A-TN/A	-	KA07-M/A	-	-	-			
TKVD15-B-U			-	-		-						
TKVD15-W	KUVE15-W	3,6	KA08-TN	KA08-TN/A	-	-	-	-	-			
TKVD15-W-U			-	-						-		
TKVD20	KUVE20-B	2,2	KA10-TN	KA10-TN/A	KA10-M	KA10-M/A	-	-	-			
TKVD20-U			-	-	-	-						
TKVD20-ADB			-	-	-	-				ADB13	-	HPL.ADB9-B
TKVD20-ADK			-	-	-	-				ADK12		
TKVD20-W	KUVE20-W	5	KA08-TN	KA08-TN/A	-	-	-	-	-			
TKVD20-W-U			-	-						-	-	

① Locating face. ② Marking.

1) Closing plugs, see page 401.

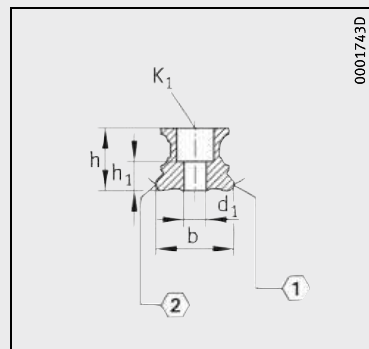
2) Covering strips, see page 402.

3) The stated torques represent maximum values for the secure transmission of forces in vibration-free, quasistatic applications ($S_0 = 1$). We recommend that the tightening torques for the screw connection of the adjacent construction should be determined at the customer under the conditions specific to the application and operation, observing the information in VDI Guideline 2230 Part 1 (2015) and the information in this description, see page 69 and page 26.

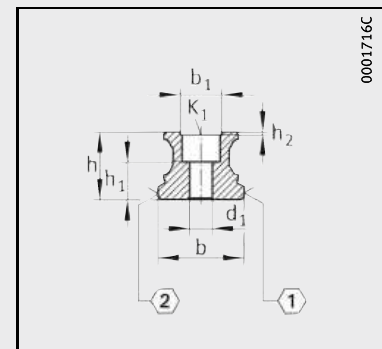
4) Maximum length of single-piece guideways.
Longer guideways are supplied as several segments and are marked accordingly.
Permissible number of guideway segments, see page 309.

5) a_L and a_R are dependent on the guideway length.

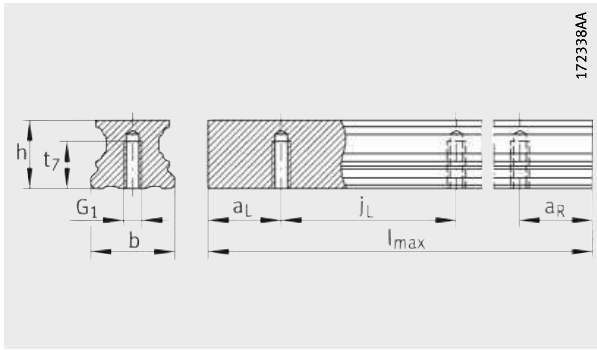
6) Standard.



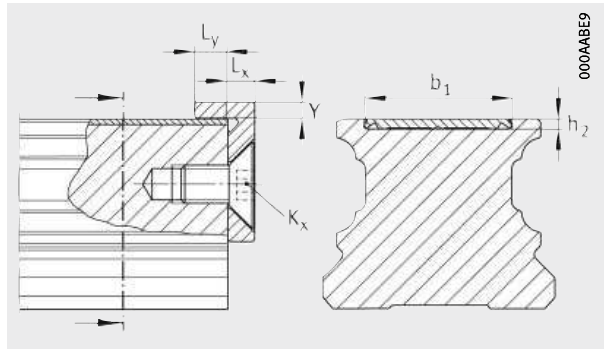
TKVD



TKVD...-ADB



TKVD..-U

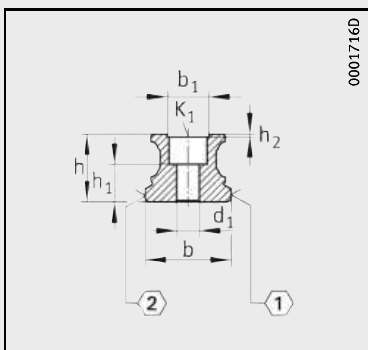
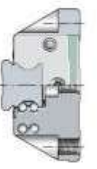


Retaining plate and covering strip

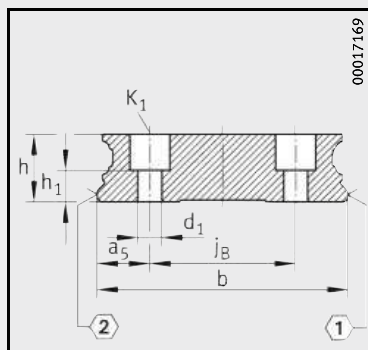
Dimensions

Fixing screws³⁾

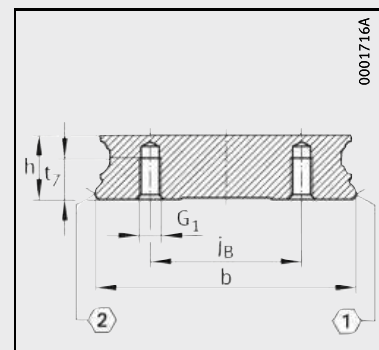
K _x	L _x	L _y	Y	l _{max} ⁴⁾	h	b	a _L , a _R ⁵⁾		j _L	j _B	a ₅	h ₁	h ₂	t ₇	b ₁	DIN ISO 4762-12.9			d ₁	
							min.	max.								K ₁				
																M _A Nm	M _A Nm			
-	-	-	-	2880	15	15	20	53	60	-	-	7,7	-	-	-	-	-	M4	5	4,6
-	-	-	-	2890	12,9	37	10	44	50	22	7,5	6	-	-	-	-	-	M4	5	4,6
-	-	-	-	5880	17	20	20	53	60	-	-	8,6	-	-	-	-	-	M5	10	5,8
M5	4	5	2	5880	17	20	20	53	60	-	-	8,6	0,5 1,1	-	13 12,6	-	-	M5	10	5,8
-	-	-	-	2880	17	42	20	53	60	24	9	10	-	-	-	-	-	M4	5	5,8
-	-	-	-	2880	17	42	20	53	60	24	9	10	-	10	-	-	-	M6	17	-



TKVD..-ADK



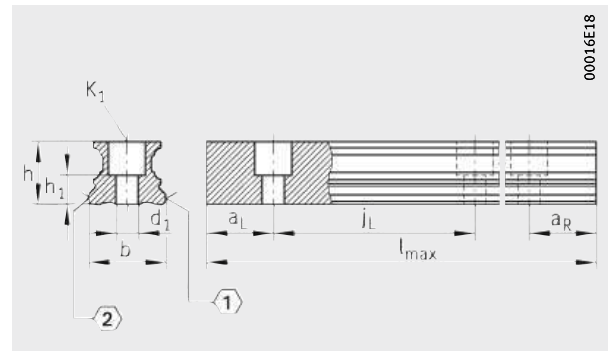
TKVD..-W



TKVD..-W-U

Four-row linear recirculating ball bearing and guideway assemblies

Guideways and closing methods for
KUVE...-B
KUVE...-W



TKVD

Dimension table (continued) · Dimensions in mm

Designation	For linear guidance system	Mass m ≈ kg/m	Closing plug ¹⁾				Covering strip ²⁾		
			Plastic		Brass		Adhesive bonded	Clip fit Convex	Retaining plate
			one-piece	two-piece ⁶⁾	one-piece	two-piece			
TKVD25	KUVE25-B	2,7	KA11-TN	KA11-TN/A	KA11-M	KA11-M/A	-	-	-
TKVD25-U			-	-	-	-	-	-	-
TKVD25-ADB		2,7	-	-	-	-	ADB13	-	HPL.ADB9-B
TKVD25-ADK	-		-	-	-	-	ADK12		
TKVD25-W	KUVE25-W	9,4	KA11-TN	KA11-TN/A	-	-	-	-	-
TKVD25-W-U			-	-	-	-	-	-	-

① Locating face. ② Marking.

1) Closing plugs, see page 401.

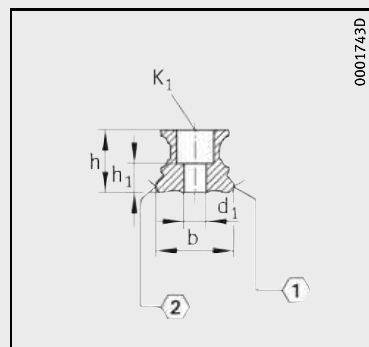
2) Covering strips, see page 402.

3) The stated torques represent maximum values for the secure transmission of forces in vibration-free, quasistatic applications ($S_0 = 1$). We recommend that the tightening torques for the screw connection of the adjacent construction should be determined at the customer under the conditions specific to the application and operation, observing the information in VDI Guideline 2230 Part 1 (2015) and the information in this description, see page 69 and page 26.

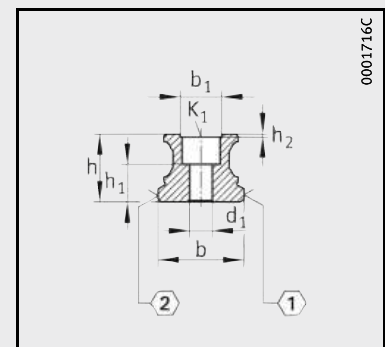
4) Maximum length of single-piece guideways.
Longer guideways are supplied as several segments and are marked accordingly.
Permissible number of guideway segments, see page 309.

5) a_L and a_R are dependent on the guideway length.

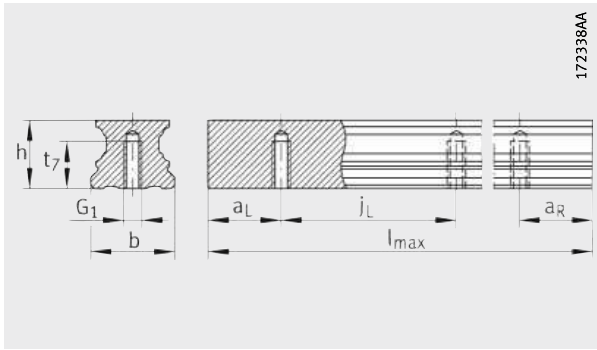
6) Standard.



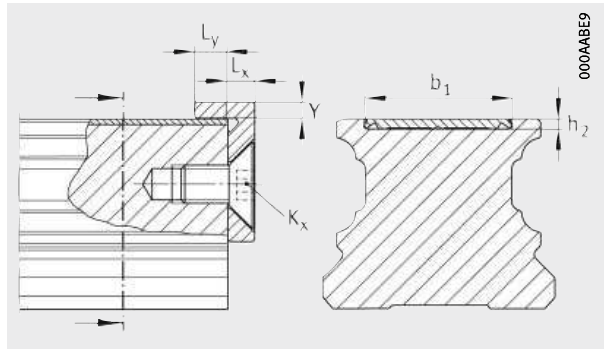
TKVD



TKVD...-ADB



TKVD..-U

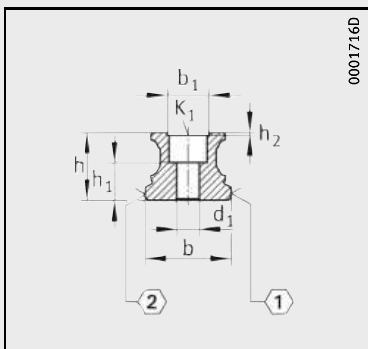
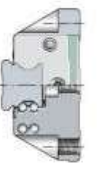


Retaining plate and covering strip

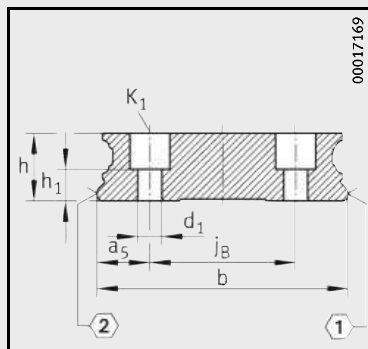
Dimensions

Fixing screws³⁾

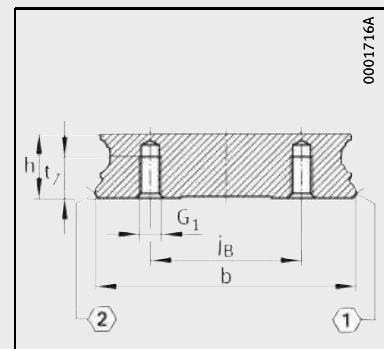
K _x	L _x	L _y	Y	l _{max} ⁴⁾	h	b	a _L , a _R ⁵⁾		j _L	j _B	a ₅	h ₁	h ₂	t ₇	b ₁	DIN ISO 4762-12.9			d ₁	
							min.	max.								G ₁	K ₁			
																	M _A	M _A		
-	-	-	-	5 880	18,7	23	20	53	60	-	-	8,2	-	-	-	-	-	M6	17	6,8
M5	4	5	2	5 880	18,7	23	20	53	60	-	-	8,2	0,5 1,1	-	13 12,6	-	-	M6	17	6,8
-	-	-	-	5 860	18,7	69	20	71	80	40	14,5	8,2	-	-	-	-	-	M6	17	6,8



TKVD..-ADK



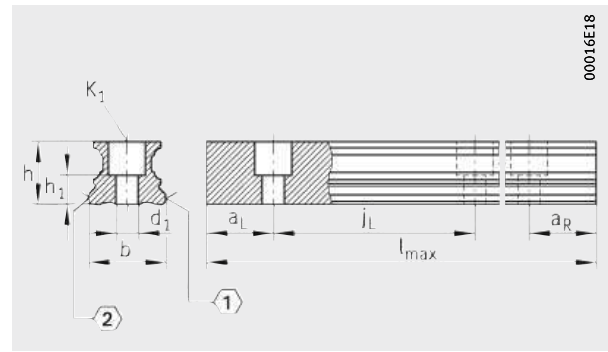
TKVD..-W



TKVD..-W-U

Four-row linear recirculating ball bearing and guideway assemblies

Guideways and closing methods for
KUVE...-B
KUVE...-W



TKVD

Dimension table (continued) · Dimensions in mm

Designation	For linear guidance system	Mass m ≈ kg/m	Closing plug ¹⁾				Covering strip ²⁾		
			Plastic		Brass		Adhesive bonded	Clip fit Convex	Retaining plate
			one-piece	two-piece ⁶⁾	one-piece	two-piece			
TKVD30	KUVE30-B	4,3	KA15-TN	KA15-TN/A	KA15-M	KA15-M/A	-	-	-
TKVD30-U			-	-	-	-	-	-	-
TKVD30-ADB		4,3	-	-	-	-	ADB18	-	HPL.ADB17-B
TKVD30-ADK	-		-	-	-	-	ADK16		
TKVD30-W	KUVE30-W	13,6	KA15TN	KA15TN/A	-	-	-	-	-
TKVD30-W-U			-	-	-	-	-	-	-

① Locating face. ② Marking.

1) Closing plugs, see page 401.

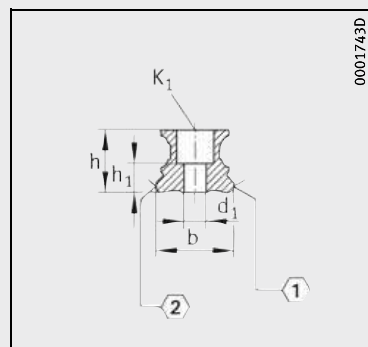
2) Covering strips, see page 402.

3) The stated torques represent maximum values for the secure transmission of forces in vibration-free, quasistatic applications ($S_0 = 1$). We recommend that the tightening torques for the screw connection of the adjacent construction should be determined at the customer under the conditions specific to the application and operation, observing the information in VDI Guideline 2230 Part 1 (2015) and the information in this description, see page 69 and page 26.

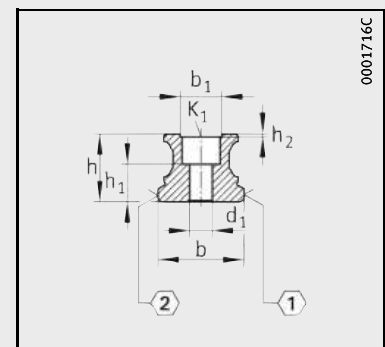
4) Maximum length of single-piece guideways.
Longer guideways are supplied as several segments and are marked accordingly.
Permissible number of guideway segments, see page 309.

5) a_L and a_R are dependent on the guideway length.

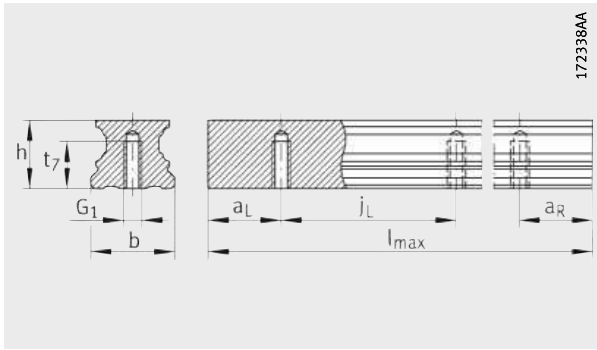
6) Standard.



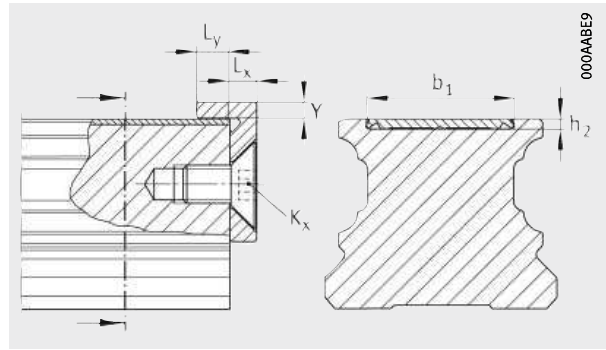
TKVD



TKVD...-ADB



TKVD..-U

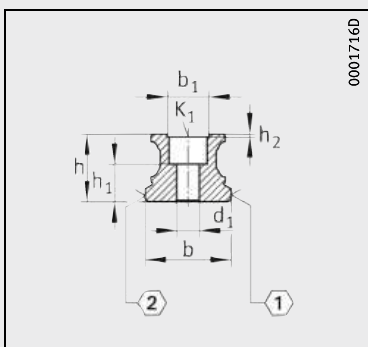
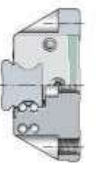


Retaining plate and covering strip

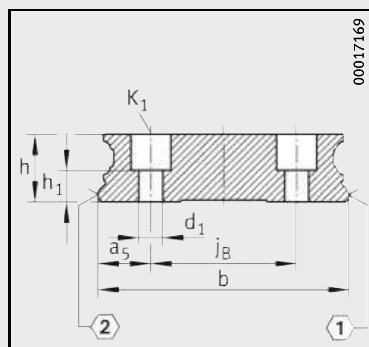
Dimensions

Fixing screws³⁾

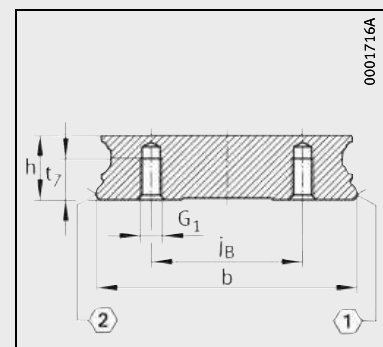
K _x	L _x	L _y	Y	l _{max} ⁴⁾	h	b	a _L , a _R ⁵⁾		j _L	j _B	a ₅	h ₁	h ₂	t ₇	b ₁	DIN ISO 4762-12.9			d ₁	
							min.	min.								G ₁	K ₁			
																	M _A Nm	M _A Nm		
-	-	-	-	5 860	23,5	28	20	71	80	-	-	11	-	-	-	-	-	M8	41	9
M6	4	5	3	5 860	23,5	28	20	71	80	-	-	11	0,5 1,1	-	18 16,6	-	-	M8	41	9
-	-	-	-	5 860	23,5	80	20	71	80	50	15	11	-	15	-	-	-	M8	41	9



TKVD..-ADK



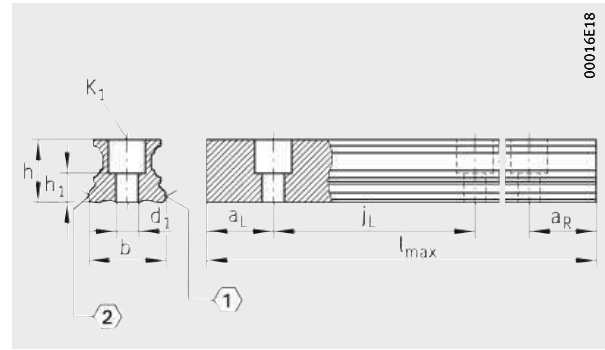
TKVD..-W



TKVD..-W-U

Four-row linear recirculating ball bearing and guideway assemblies

Guideways and closing methods for
KUVE...-B
KUVE...-W



TKVD

Dimension table (continued) · Dimensions in mm

Designation	For linear guidance system	Mass m ≈ kg/m	Closing plug ¹⁾				Covering strip ²⁾		
			Plastic		Brass		Adhesive bonded	Clip fit Convex	Retaining plate
			one-piece	two-piece ⁶⁾	one-piece	two-piece			
TKVD35	KUVE35-B	5,7	KA15-TN	KA15-TN/A	KA15-M	KA15-M/A	-	-	-
TKVD35-U			-	-	-	-	-	-	-
TKVD35-ADB		5,7	-	-	-	-	ADB18	-	HPL.ADB17-B
TKVD35-ADK			-	-	-	-	-	ADK16	
TKVD35-W	KUVE35-W	17,4	KA15-TN	KA15-TN/A	-	-	-	-	-
TKVD35-W-U			-	-	-	-	-	-	-

① Locating face. ② Marking.

1) Closing plugs, see page 401.

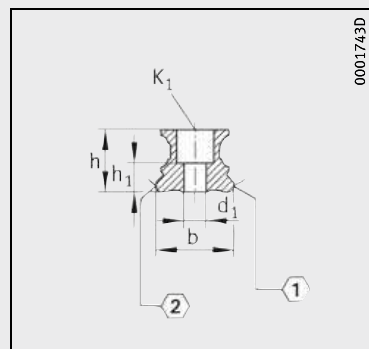
2) Covering strips, see page 402.

3) The stated torques represent maximum values for the secure transmission of forces in vibration-free, quasistatic applications ($S_0 = 1$). We recommend that the tightening torques for the screw connection of the adjacent construction should be determined at the customer under the conditions specific to the application and operation, observing the information in VDI Guideline 2230 Part 1 (2015) and the information in this description, see page 69 and page 26.

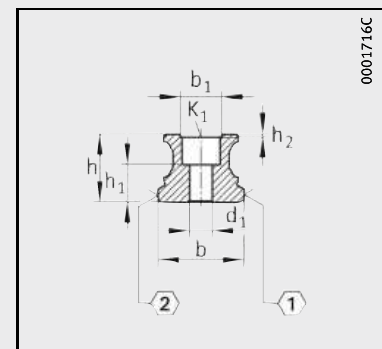
4) Maximum length of single-piece guideways.
Longer guideways are supplied as several segments and are marked accordingly.
Permissible number of guideway segments, see page 309.

5) a_L and a_R are dependent on the guideway length.

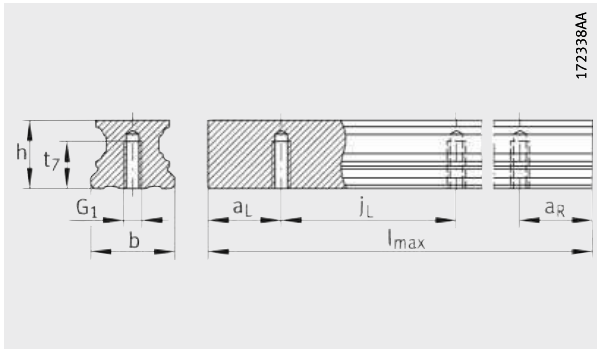
6) Standard.



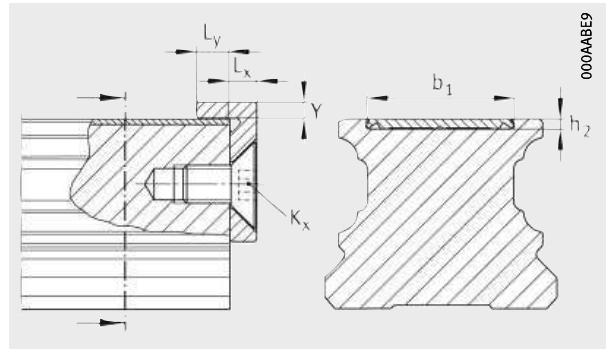
TKVD



TKVD..-ADB



TKVD..-U

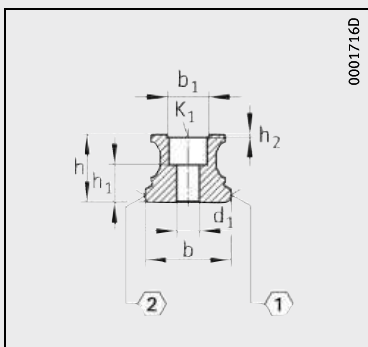
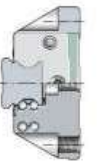


Retaining plate and covering strip

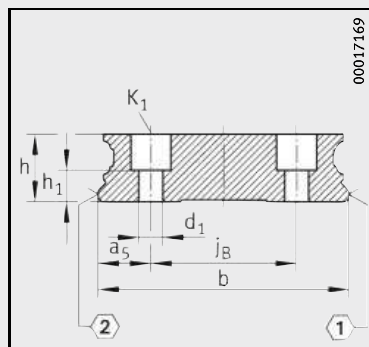
Dimensions

Fixing screws³⁾

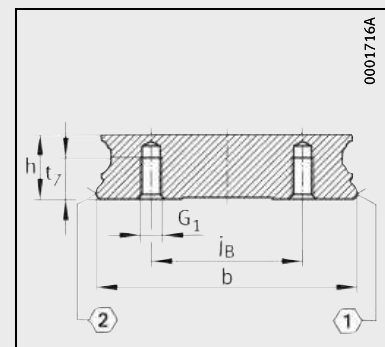
K _x	L _x	L _y	Y	l _{max} ⁴⁾	h	b	a _L , a _R ⁵⁾		j _L	j _B	a ₅	h ₁	h ₂	t ₇	b ₁	DIN ISO 4762-12.9			d ₁	
							min.	max.								G ₁	K ₁			
																	M _A	M _A		
-	-	-	-	5 860	27	34	20	71	80	-	-	14,5	-	-	-	-	-	M8	41	9
M6	4	5	3	5 860	27	34	20	71	80	-	-	14,5	0,5	-	18	-	-	M8	41	9
													1,1		16,6	M5	10			
-	-	-	-	5 860	27	90	20	71	80	60	15	14,5	-	-	-	-	-	M8	41	9



TKVD..-ADK



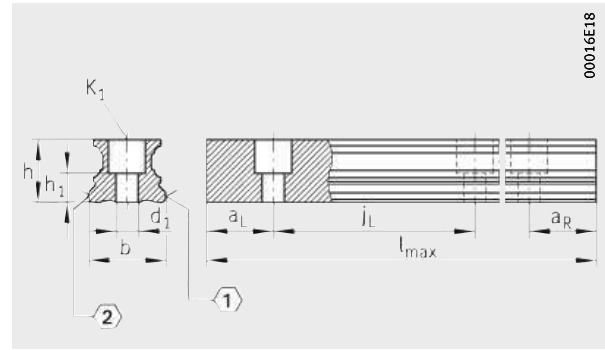
TKVD..-W



TKVD..-W-U

Four-row linear recirculating ball bearing and guideway assemblies

Guideways and closing methods for KUVE...-B



TKVD

Dimension table (continued) · Dimensions in mm

Designation	For linear guidance system	Mass m ≈ kg/m	Closing plug ¹⁾				Covering strip ²⁾		
			Plastic		Brass		Adhesive bonded	Clip fit Convex	Retaining plate
			one-piece	two-piece ⁶⁾	one-piece	two-piece			
TKVD45	KUVE45-B	9,2	KA20-TN	KA20-TN/A	KA20-M	KA20-M/A	–	–	–
TKVD45-U			–	–	–	–	–	–	–
TKVD45-ADB		9,2	–	–	–	–	ADB23	–	HPL.ADB17-B
TKVD45-ADK			–	–	–	–	–	ADK21	
TKVD55-B	KUVE55-B	14	KA24-TN	KA24-TN/A	KA24-M	KA24-M/A	–	–	–
TKVD55-B-U			–	–	–	–	–	–	–
TKVD55-ADB		14	–	–	–	–	ADB27	–	HPL.ADB17-B
TKVD55-ADK			–	–	–	–	–	ADK25	

① Locating face. ② Marking.

1) Closing plugs, see page 401.

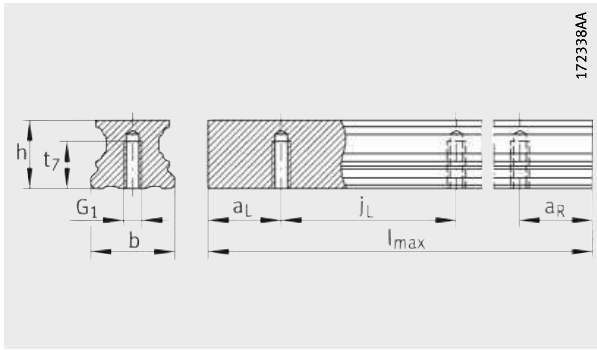
2) Covering strips, see page 402.

3) The stated torques represent maximum values for the secure transmission of forces in vibration-free, quasistatic applications ($S_0 = 1$). We recommend that the tightening torques for the screw connection of the adjacent construction should be determined at the customer under the conditions specific to the application and operation, observing the information in VDI Guideline 2230 Part 1 (2015) and the information in this description, see page 69 and page 26.

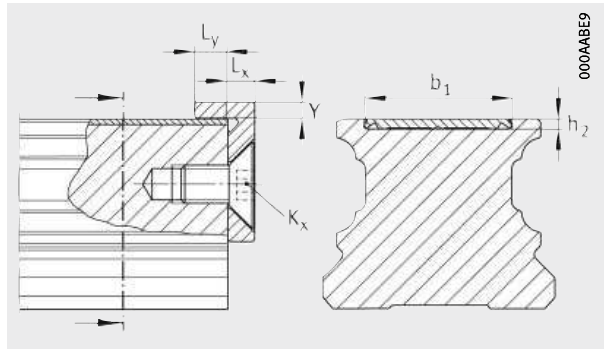
4) Maximum length of single-piece guideways.
Longer guideways are supplied as several segments and are marked accordingly.
Permissible number of guideway segments, see page 309.

5) a_L and a_R are dependent on the guideway length.

6) Standard.



TKVD..-U

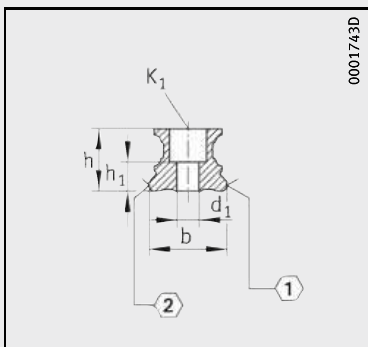
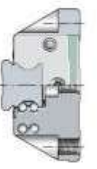


Retaining plate and covering strip

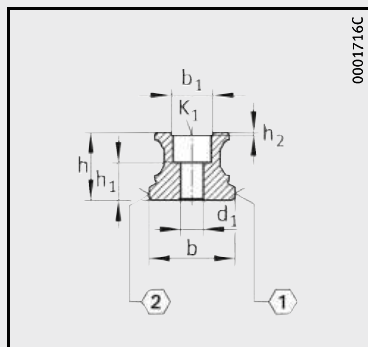
Dimensions

Fixing screws³⁾

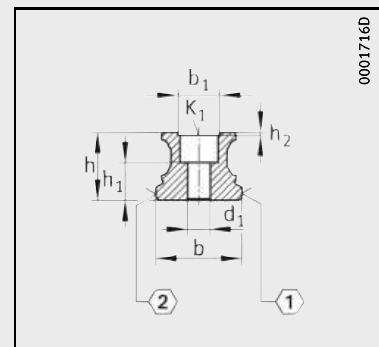
K _x	L _x	L _y	Y	l _{max} ⁴⁾	h	b	a _L , a _R ⁵⁾		j _L	j _B	a ₅	h ₁	h ₂	t ₇	b ₁	DIN ISO 4762-12.9			d ₁	
							min.	max.								G ₁		K ₁		
																M _A	Nm	M _A		Nm
-	-	-	-	5835	34,2	45	20	94	105	-	-	15,7	-	-	-	-	-	M12	140	13,4
M5	4	5	2	5835	34,2	45	20	94	105	-	-	15,7	0,5 1,1	-	23 21,7	-	-	M12	140	13,4
-	-	-	-	5820	41,5	53	20	107	120	-	-	19	-	-	-	-	-	M14	220	15,4
M5	4	5	2	5820	41,5	53	20	107	120	-	-	19	0,5 1,1	-	27 25,7	-	-	M14	220	15,4



TKVD



TKVD..-ADB



TKVD..-ADK