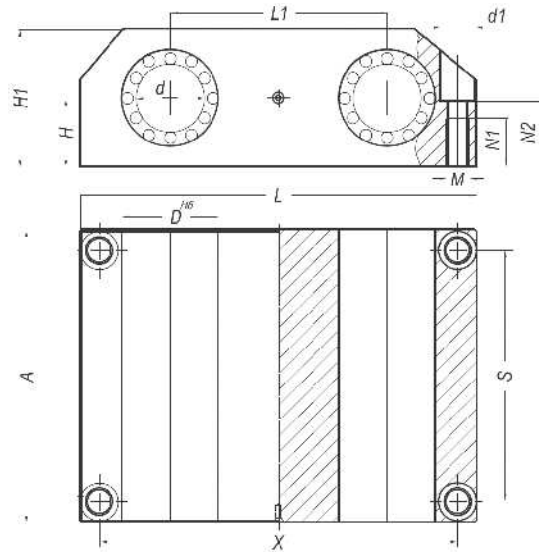


SMLC SERIES



| Type | Shaft Ø | A | H | H1 | L | L1 | M | Weight |
|--------|---------|-----|------|----|-----|-----|-----|--------|
| | (mm) | | | | | | | (g) |
| SMLC12 | 12 | 70 | 15 | 30 | 80 | 40 | M5 | 376 |
| SMLC16 | 16 | 80 | 17,5 | 35 | 96 | 52 | M5 | 612 |
| SMLC20 | 20 | 85 | 20 | 40 | 115 | 63 | M6 | 832 |
| SMLC25 | 25 | 100 | 25 | 50 | 136 | 75 | M8 | 1464 |
| SMLC30 | 30 | 130 | 28 | 56 | 146 | 80 | M8 | 2180 |
| SMLC40 | 40 | 150 | 35 | 70 | 184 | 97 | M10 | 3820 |
| SMLC50 | 50 | 175 | 40 | 80 | 210 | 107 | M12 | 5500 |