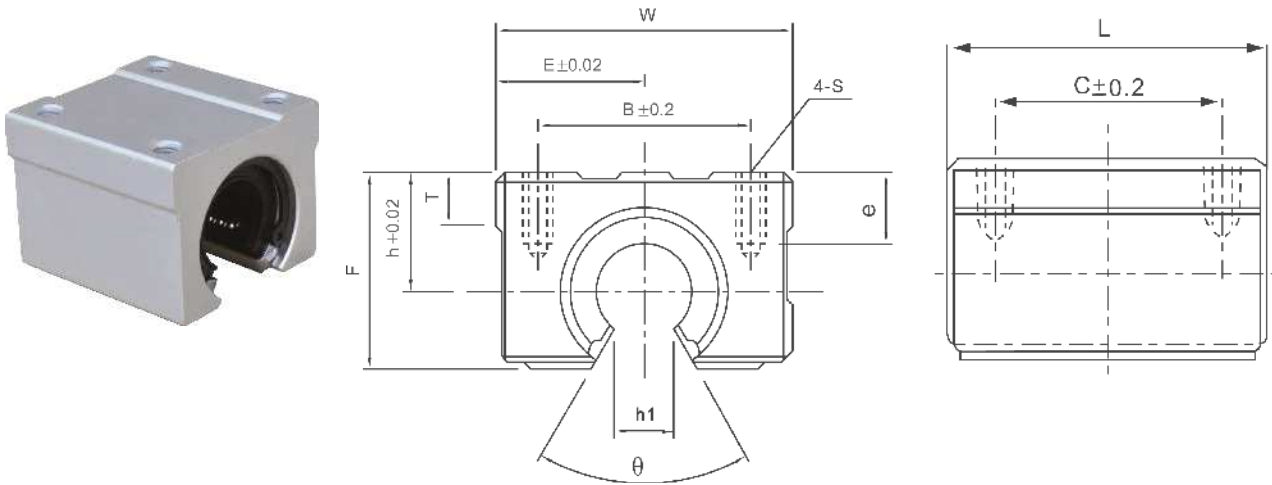


SME SERIES



Type	h	D	W	L	F	T	h1	θ	B	C	Sxe	Bearing	Load		Weight
													C	C0	
													(N)	(N)	(g)
SME16UU	20	22,5	45	45	33	9	10	80°	32	30	M5x12	LM16UU-OP	774	1180	150
SME20UU	23	24	48	50	39	11	10	60°	35	35	M6x12	LM20UU-OP	882	1370	200
SME25UU	27	30	60	65	47	14	11,5	50°	40	40	M6x12	LM25UU-OP	980	1570	450
SME30UU	33	35	70	70	56	15	14	50°	50	50	M8x18	LM30UU-OP	1570	2740	630
SME35UU	37	40	80	80	63	18	16	50°	55	55	M8x18	LM35UU-OP	1670	3140	925
SME40UU	42	45	90	90	72	20	19	50°	65	65	M10x20	LM40UU-OP	2160	4020	1330
SME50UU	53	60	120	110	92	25	23	50°	94	80	M10x20	LM50UU-OP	3820	7940	3000