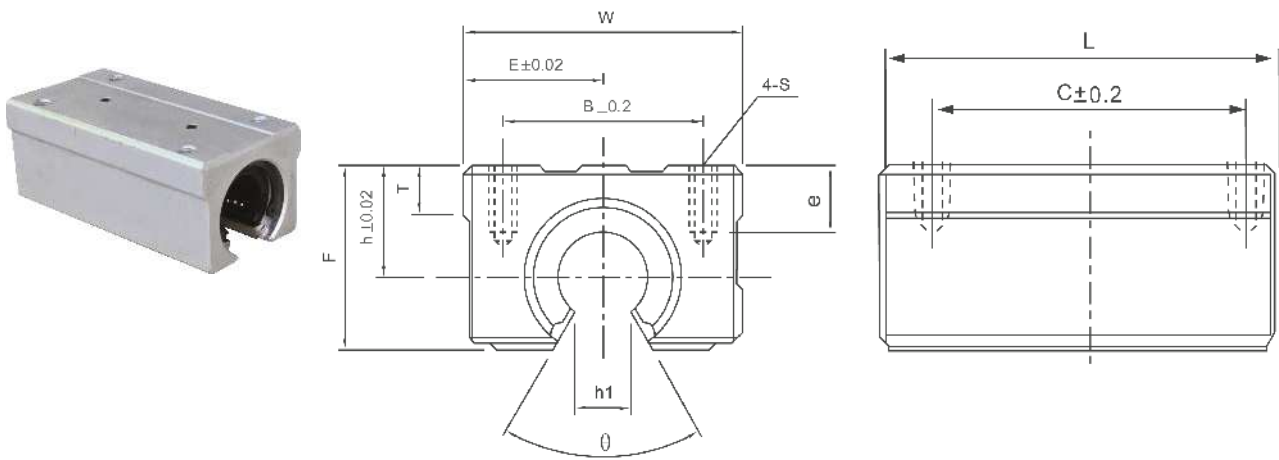
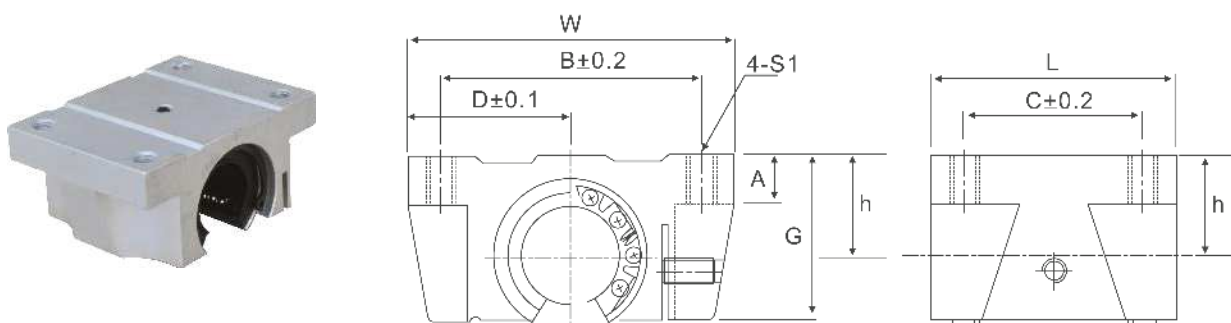


**SME\_L SERIES**



Type	h	D	W	L	F	T	h1	Θ	B	C	Sxe	Bearing	Load		Weight
													C	C0	
													(N)	(N)	
(mm)															
SME16LUU	20	22,5	45	85	33	9	10	80°	32	60	M5x12	LM16UU-OPx2	1230	2350	300
SME20LUU	23	24	48	95	39	11	10	60°	35	70	M6x12	LM20UU-OPx2	1400	2740	400
SME25LUU	27	30	60	130	47	14	11,5	50°	40	90	M6x12	LM25UU-OPx2	1560	3140	900
SME30LUU	33	35	70	140	56	15	14	50°	50	100	M8x18	LM30UU-OPx2	2490	5490	1260

**TBR SERIES**



Type	W	G	A	L	B	D	C	h	S1	Load		Weight	
										C	C0		
										(N)	(N)		(g)
(mm)													
TBR16UU	62	26	8	42	50	31	30	18	M5	392	490	180	
TBR20UU	68	31	10	51	54	34	37	21	M6	784	1176	300	
TBR25UU	82	41	12	65	65	41	50	28	M8	1568	2352	600	
TBR30UU	91	48	12	75	75	45,5	60	33,5	M8	1764	2940	900	

