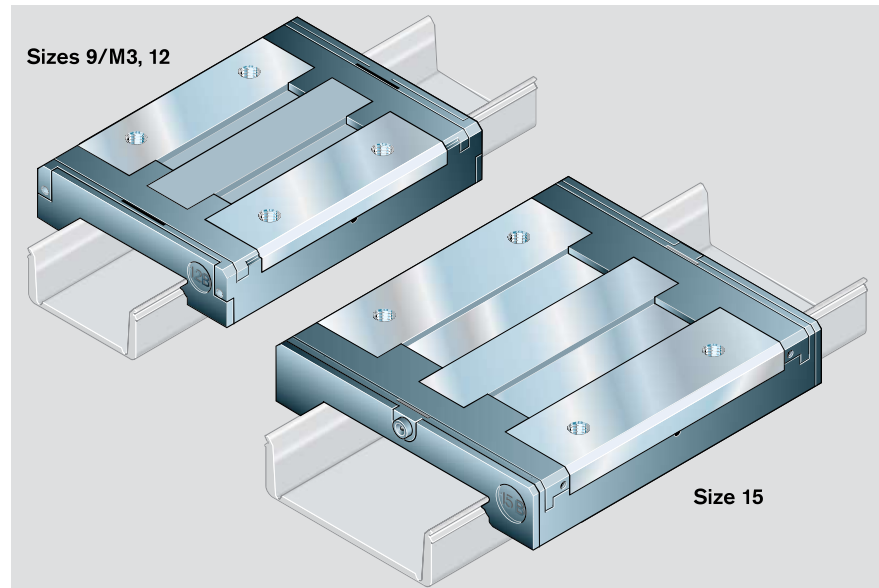


## Wide, Long Runner Blocks R0441

All steel parts of the runner block are made of rust and acid resistant material similar to ISO 683-17 / EN 10088. The runner blocks are delivered mounted on arbors.



### Part numbers for runner blocks

Standard seals: low-friction seals.

Part number: R0441 ... **01** (see table)

Special versions:

Runner blocks are also available:

- with N seals (excellent wiping action) and longitudinal seals for full sealing.

Part number: R0441 ... **00**

(otherwise as per table)

- without basic lubrication for individual lubrication.

- with N seals and longitudinal seals

Part number: R0441 ... **40**

(otherwise as per table)

- with low-friction seals

Part number: R0441 ... **41**

(otherwise as per table)

Size	Accuracy class	Part numbers for runner blocks	
		Clearance <b>9</b>	Preload <b>1</b>
9/M3	P	–	R0441 812 01
	H	R0441 893 01	R0441 813 01
	N	R0441 894 01	–
12	P	–	R0441 212 01
	H	R0441 293 01	R0441 213 01
	N	R0441 294 01	–
15	P	–	R0441 512 01
	H	R0441 593 01	R0441 513 01
	N	R0441 594 01	–

Take frictional drag of the respective seals into account.

See "Technical Data", section "Friction and seals".

### Note on dynamic load capacities and moments (see table)

Determination of the dynamic load capacities and moments is based on a travel life of 100,000 m.

Often only 50,000 m are actually stipulated.

For comparison:

Multiply values  $C$ ,  $M_t$  and  $M_L$  from the table by 1.26.

### Ordering example 1:

Runner block size 12, accuracy class P, preloaded, standard seals

Ordering data: **R0441 212 01**

### Ordering example 2:

Runner block size 12, accuracy class H, clearance, N seals

Ordering data: **R0441 293 00**

### Ordering example 3:

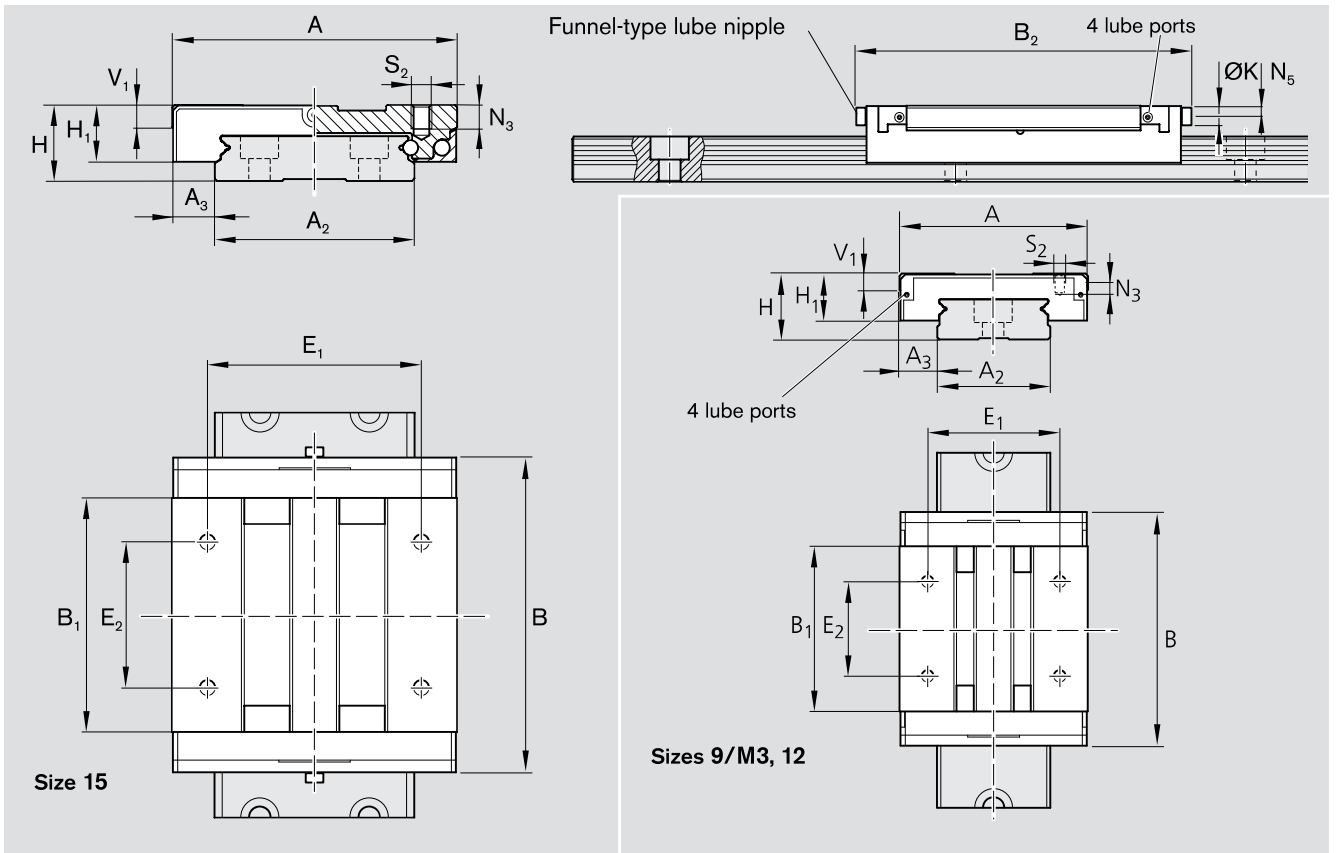
Runner block size 15, accuracy class H, preloaded, N seals and longitudinal seals, no basic lubrication

Ordering data: **R0441 513 40**

### Ordering example 4:

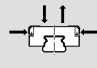

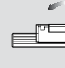
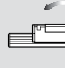
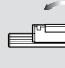
Runner block size 9/M3, accuracy class N, clearance, standard seals, no basic lubrication

Ordering data: **R0441 894 41**



Size	Dimensions (mm)																
	A	A <sub>2</sub>	A <sub>3</sub>	B	B <sub>1</sub>	B <sub>2</sub>	H	H <sub>1</sub> <sup>1)</sup>	H <sub>1</sub> <sup>2)</sup>	V <sub>1</sub>	E <sub>1</sub>	E <sub>2</sub>	K	N <sub>3</sub>	N <sub>5</sub>	S <sub>2</sub>	
9/M3	30	18	6.0	51.0	38.0	-	12	9.0	9.65	2.8	23	24	-	3.2	-	M3	
12	40	24	8.0	59.5	45.0	-	14	10.0	10.65	3.3	28	28	-	4.0	-	M3	
15	60	42	9.0	74.5	57.6	77.5	16	12.0	12.65	4.7	45	35	4	4.5	2.1	M4	

- 1) Without longitudinal seal
- 2) With longitudinal seal

Size	Weight Runner block (g)	Load capacities (N)		Moments (Nm)			
		 C <sup>1)</sup>	C <sub>0</sub> <sup>1)</sup>	 M <sub>t</sub> <sup>2)</sup>	 M <sub>t0</sub> <sup>2)</sup>	 M <sub>L</sub> <sup>2)</sup>	 M <sub>Lo</sub> <sup>2)</sup>
9/M3	41	2825	5590	23.5	46.4	15.8	31.2
12	76	4340	8250	51.4	97.7	28.7	54.6
15	170	7460	14085	151.0	285.2	66.1	125.0

- 1) Calculated values conforming to DIN 636, Part 2
- 2) Calculated values (based on C, C<sub>0</sub>)