

Joining elements

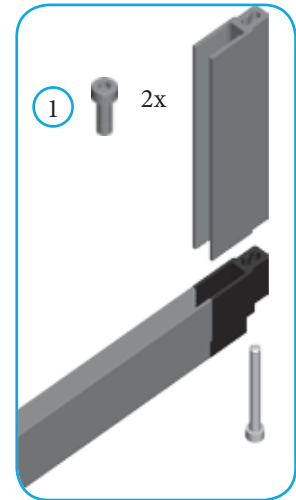
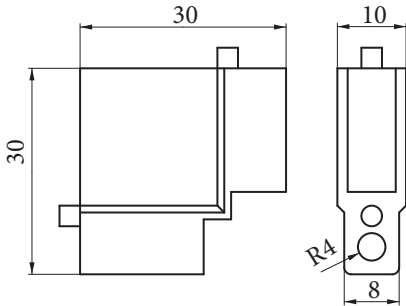
TRANSPORT LINES AND FLEXIBLE CONSTRUCTIONS IN AUTOMATION

Naziv
Description

Kotnik profila mreže
Corner connection

Raccordo d'angolo
Eckverbinder

Descrizione
Beschreibung



PP	8/10			Code
		Corner connection	4g	11116

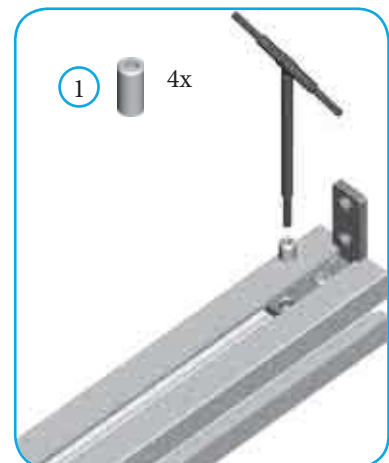
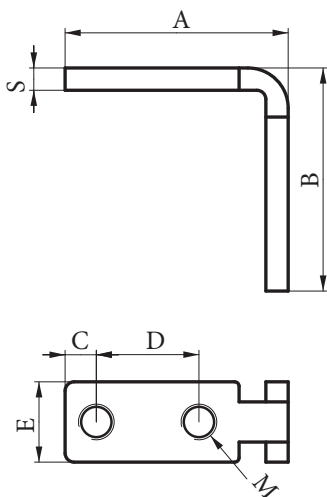
Assembly components - sold separately			Code
1	Screw with cylindrical head M4x40	35	11026

Naziv
Description

Kotnik notranji 90°
Inside angle 90°

Angolare interno 90°
Inneneckverbinder 90°

Descrizione
Beschreibung



Zn Fe	8	M	A	B	C	D	E	S		Code
		6	40	40	7	20	16	3	24g	11117

Assembly components - sold separately			Code
1	Threaded insert M6x8	36	11031