

Joining elements

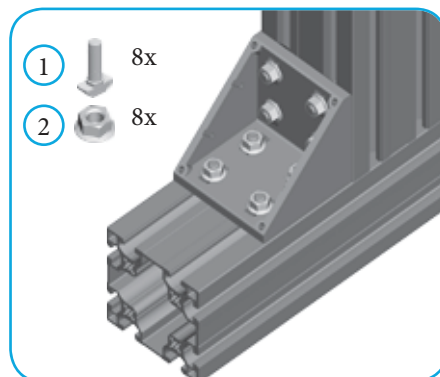
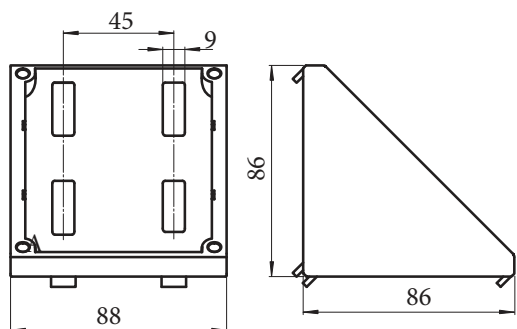
TRANSPORT LINES AND FLEXIBLE CONSTRUCTIONS IN AUTOMATION

Naziv
Description

Kotnik Al 90 x 90
Bracket Al 90 x 90

Angolare 90 x 90
Winkel Al 90 x 90

Descrizione
Beschreibung



- 1 8x
- 2 8x

Zn

10

Bracket Al 90 x 90



337g

Code
11107

Assembly components - sold separately

1

Hammer Head Screw M8x25

37

Code
11048

2

Flange Nut M8 16

37

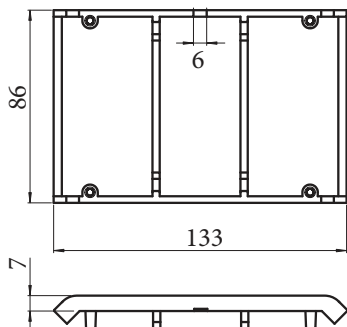
Code
11052

Naziv
Description

Pokrov za kotnik 90 x 90
Cover cap for Bracket 90 x 90

Tappo per angolare 90 x 90
Winkel Abdeckkappe für 90 x 90

Descrizione
Beschreibung



PA6
#

Cover cap for Bracket 90 x 90



63g

Code
11108