

Roller rails

TRANSPORT LINES AND FLEXIBLE CONSTRUCTIONS IN AUTOMATION

Naziv
Description

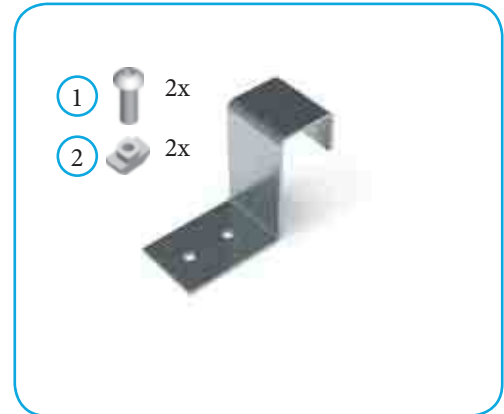
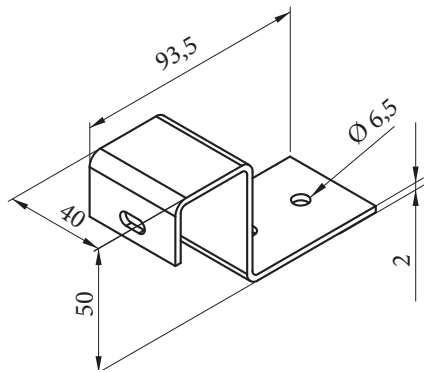
Nosilec proge - visok

Rail holder - high

Supporto profilo - alto

Rollenschienen Träger - Hoch

Descrizione
Beschreibung



Zn
Fe

		Code
Rail holder - high	137g	14008

Assembly components - sold separately			Code
①	Screw with round head M6x12mm	35	11017
②	Hammer Nut M6 U8	38	11057
②	Hammer Nut M6 U10	38	11060

Naziv
Description

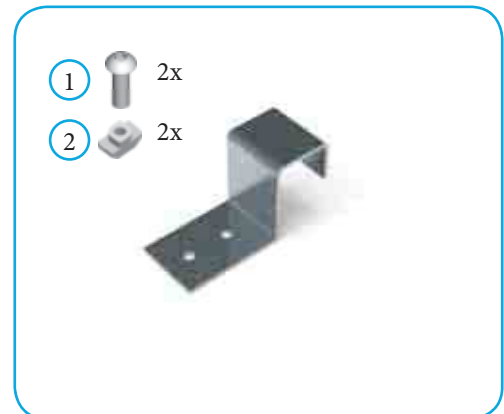
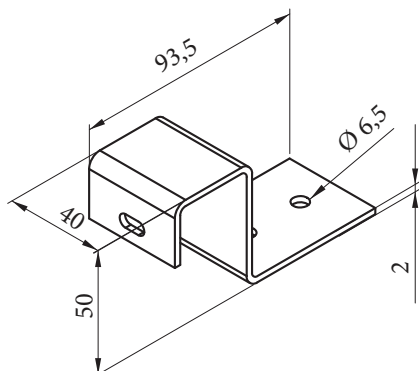
Nosilec proge - nizek

Rail holder - low

Supporto profilo - basso

Rollenschienen Träger - Tief

Descrizione
Beschreibung



Zn
Fe

		Code
Rail holder - low	124g	14009

Assembly components - sold separately			Code
①	Screw with round head M6x12mm	35	11017
②	Hammer Nut M6 U8	38	11057
②	Hammer Nut M6 U10	38	11060