

Accessories

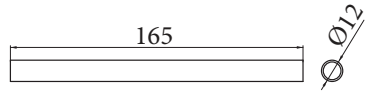
TRANSPORT LINES AND FLEXIBLE CONSTRUCTIONS IN AUTOMATION

Naziv
Description

Cev Ø 12
Tube Ø 12

Tubo Ø 12
Rohr Ø 12

Descrizione
Beschreibung



Al
Elo

Tube Ø 12



16g

Code

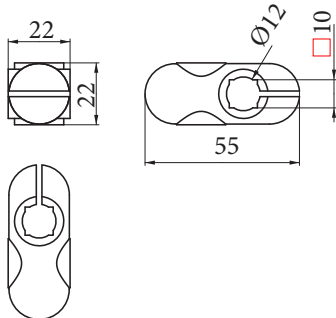
12094

Naziv
Description

Nosilec senzorja
Sensor support

Supporto sensore
Sensor Träger

Descrizione
Beschreibung



PA6

Sensor support



25g

Code

12095