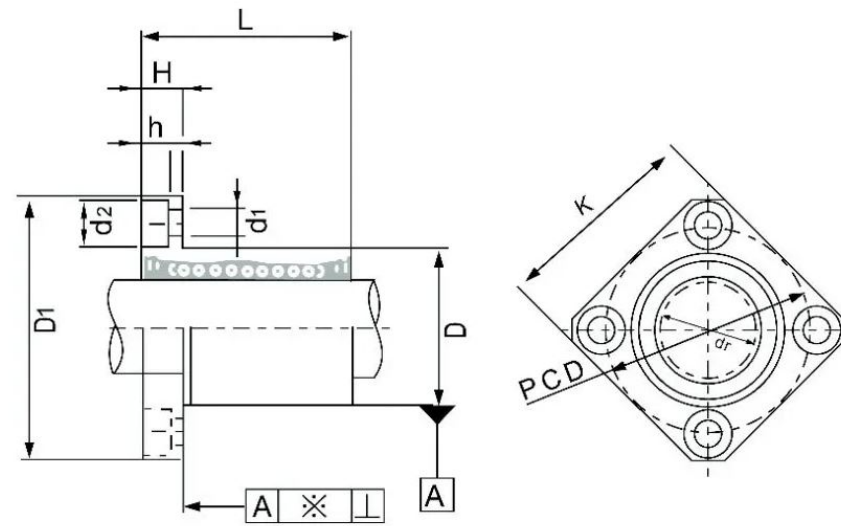


LMK Linear Bearings



Part Number	Inside Diameter dr (mm)	Tolerance (μm)	Number of Ball Circuits	Outside Diameter D (mm)	Tolerance (μm)	Total Length ±0.3 L (mm)	Flange Square Outer Diameter K (mm)	Flange Width H (mm)	PCD (mm)	Bolt / Bolt Hole Dimensions d1 x d2 x h (mm)	Radial Clearance max (μm)	Static Basic Load Rating (N)	Dynamic Basic Load Rating (N)	Weight (kg)
LMK6UU	6	0 to -9	4	12	0 to -11	19	22	5	20	3.5x6x3.1	-3	206	265	0.024
LMK8UU	8		4	15		24	25	5	24	3.5x6x3.1		274	392	0.037
LMK10UU	10		4	19	0 to -13	29	30	6	29	4.5x7.5x4.1	-4	372	549	0.072
LMK12UU	12	4	21	30		32	6	32	4.5x7.5x4.1	510		784	0.076	
LMK13UU	13	4	23	32		34	6	33	4.5x7.5x4.1	510		784	0.088	
LMK16UU	16	0 to -10	5	28	0 to -16	37	37	6	38	4.5x7.5x4.1	-6	774	1180	0.120
LMK20UU	20		5	32		42	42	8	43	5.5x9x5.1		882	1370	0.180
LMK25UU	25		6	40	59	50	8	51	5.5x9x5.1	980	1570	0.340		
LMK30UU	30	0 to -12	6	45	0 to -19	64	58	10	60	6.6x11x6.1	-8	1570	2740	0.470
LMK35UU	35		6	52		70	64	10	67	6.6x11x6.1		1670	3140	0.650
LMK40UU	40		6	60	80	75	13	78	9x14x8.1	-10	2160	4020	1.060	
LMK50UU	50	0 to -15	6	80	0 to -22	100	92	13	98	9x14x8.1	-13	3820	7940	2.200
LMK60UU	60		6	90		110	106	18	112	11x17x11.1		4700	10000	3.000

UU = 2 wiper seals