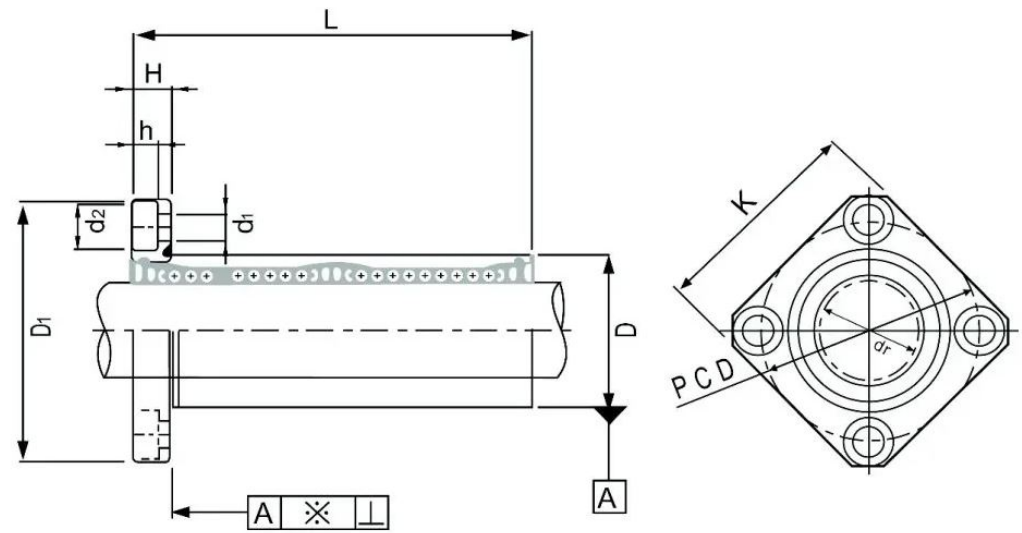


LMK-LUU Linear Bearings



Part Number	Inside Diameter (mm)	Tolerance (μm)	Number of Ball Circuits	Outside Diameter D (mm)	Tolerance (μm)	Total Length ±0.3 (mm)	Flange Square Diameter K (mm)	Flange Width H (mm)	Bolt Hole PCD (mm)	Bolt / Bolt Hole Dimensions d1 x d2 x h (mm)	Radial Clearance max (μm)	Static Basic Load Rating (N)	Dynamic Basic Load Rating (N)	Weight (kg)
LMK6LUU	6	0 to -10	4	12	0 to -13	35	22	5	20	3.5x6x3.1	-3	323	529	0.031
LMK8LUU	8		4	15		45	25	5	24	3.5x6x3.1		431	784	0.051
LMK10LUU	10	0 to -10	4	19	0 to -16	55	30	6	29	4.5x7.5x4.1	-4	588	1100	0.098
LMK12LUU	12		4	21		57	32	6	32	4.5x7.5x4.1		813	1570	0.110
LMK13LUU	13		4	23		61	34	6	33	4.5x7.5x4.1		813	1570	0.130
LMK16LUU	16	0 to -12	5	28	0 to -19	70	37	6	38	4.5x7.5x4.1	-6	1230	2350	0.190
LMK20LUU	20		5	32		80	42	8	43	5.5x9x5.1		1400	2740	0.260
LMK25LUU	25	0 to -12	6	40	0 to -19	112	50	8	51	5.5x9x5.1	-8	1560	3140	0.540
LMK30LUU	30		6	45		123	58	10	60	6.6x11x6.1		2490	5490	0.680
LMK35LUU	35	0 to -15	6	52	0 to -22	135	64	10	67	6.6x11x6.1	-8	2650	6270	1.020
LMK40LUU	40		6	60		151	75	13	78	9x14x8.1		3430	8040	1.570
LMK50LUU	50	0 to -20	6	80	0 to -25	192	92	13	98	9x14x8.1	-13	6080	15900	3.600
LMK60LUU	60		6	90		209	106	18	112	11x17x11.1		7550	20000	4.500

UU = 2 wiper seals