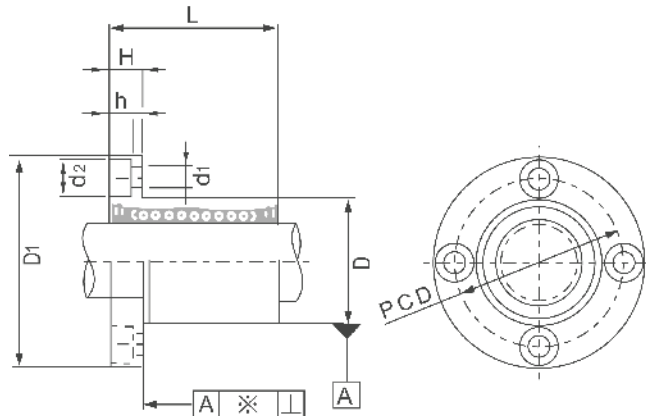


LMEF SERIES (EUROPE SERIES)



Type	Ball circuit	dr		D		L (±0,3)	D1	PCD	H	d1xd2xh	Eccentricity (max.)	Radial clearance (max.)	Load		Weight
		(mm)	(µm)	(mm)	(µm)								C	C0	
						(mm)	(µm)	(mm)	(µm)	(N)	(N)	(g)			
LMEF8UU	4	8	+8	16	0/-11	25	32	24	5	3,5x6x3,1	12	-3	265	402	41
LMEF12UU	4	12	0	22	0	32	42	32	6	4,5x7,5x4,1		-4	510	784	80
LMEF16UU	5	16	+9	26	-13	36	46	36	6	4,5x7,5x4,1	15	-6	578	892	103
LMEF20UU	5	20	+1	32	0	45	54	43	8	5,5x9x5,1		-8	862	1370	182
LMEF25UU	6	25	+11	40	0	58	62	51	8	5,5x9x5,1	20	-13	980	1570	335
LMEF30UU	6	30	-1	47	-16	68	76	62	10	6,6x11x6,1		-8	1570	2740	560
LMEF40UU	6	40	+13	62	0	80	98	80	13	9x14x8,1	25	-13	2160	4020	1175
LMEF50UU	6	50	-2	75	-19	100	112	94	13	9x14x8,1		-13	3820	7940	1745
LMEF60UU	6	60		90	0/-22	125	134	112	18	11x17x11,1			4700	9800	3220