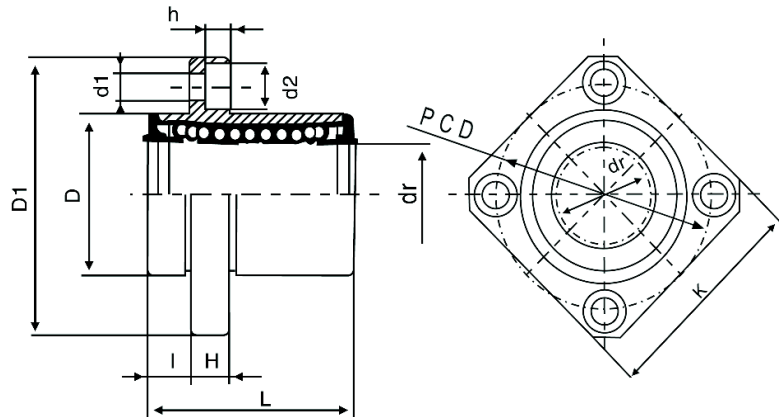


LMKP TYPE



| Type | Ball circuit | dr | | D | | L (±0,3) | I | D1 | K | H | PCD | d1xd2xh | Eccentricity (max.) (µm) | Load | | Weight (g) |
|----------|--------------|------|----------|-------|----------|-------------|-------|-----|----|-----|------------|-------------|--------------------------------|------|------------|---------------|
| | | (mm) | (µm) | (mm) | (µm) | | | | | | | | | C | C0 | |
| | | (mm) | | | | | | | | | | | | | | |
| LMKP6UU | 4 | 6 | 0 -9 | 12 | 0 | 19 | 5 | 28 | 22 | 5 | 20 | 3,5x6x3,1 | 12 | 206 | 265 | 24 |
| LMKP8UU | 4 | 8 | | 15 | -13 | 24 | 5 | 32 | 25 | 5 | 24 | 3,5x6x3,1 | | 274 | 392 | 37 |
| LMKP10UU | 4 | 10 | | 19 | 0 -16 | 29 | 6 | 40 | 30 | 6 | 29 | 4,5x7,5x4,1 | | 372 | 549 | 72 |
| LMKP12UU | 4 | 12 | | 21 | | 30 | 6 | 42 | 32 | 6 | 32 | 4,5x7,5x4,1 | | 510 | 784 | 76 |
| LMKP13UU | 4 | 13 | | 23 | | 32 | 6 | 43 | 34 | 6 | 33 | 4,5x7,5x4,1 | | 510 | 784 | 88 |
| LMKP16UU | 5 | 16 | | 28 | | 37 | 6 | 48 | 37 | 6 | 38 | 4,5x7,5x4,1 | | 774 | 1180 | 120 |
| LMKP20UU | 5 | 20 | 0 -10 | 32 | 0 | 42 | 8 | 54 | 42 | 8 | 43 | 5,5x9x5,1 | 15 | 882 | 1370 | 180 |
| LMKP25UU | 6 | 25 | | 40 | -19 | 59 | 8 | 62 | 50 | 8 | 51 | 5,5x9x5,1 | | 980 | 1570 | 340 |
| LMKP30UU | 6 | 30 | | 45 | 64 | 10 | 74 | 58 | 10 | 60 | 6,6x11x6,1 | 1570 | | 2740 | 470 | |
| LMKP35UU | 6 | 35 | 0 -12 | 52 | 0 -22 | 70 | 10 | 82 | 64 | 10 | 67 | 6,6x11x6,1 | 20 | 1670 | 3140 | 650 |
| LMKP40UU | 6 | 40 | | 60 | | 80 | 13 | 96 | 75 | 13 | 78 | 9x14x8,1 | | 2160 | 4020 | 1060 |
| LMKP50UU | 6 | 50 | | 80 | | 100 | 13 | 116 | 92 | 18 | 98 | 9x14x8,1 | | 3820 | 7940 | 2200 |
| LMKP60UU | 6 | 60 | | 0/-15 | | 90 | 0/-25 | 110 | 18 | 134 | 106 | 18 | | 112 | 11x17x11,1 | 4700 |