

HEVI-LOAD UNITS 0,1,2 & 3

ALWAYS Hevi-Load Units are designed and manufactured to precise standards.

They offer the highest performance available in load transfer applications with load ball sizes from 12.7mm to 50.8mm diameters and a load capacity range from 35kg to 2000kg used either ball up or ball down.

Hevi-Load Units run on the re-circulating ball principal. The load ball rotates on a bed of small balls supported on a hardened steel, precision machined table.

They can work at maximum capacity in temperatures from - 30°C to +100°C. Drain hole or grease points can be incorporated on request.

No spanner flats for 7110 and 7106 Hevi-Load Units. *Models marked with an asterisk have a bearing shell and are assembled with no felt seal with a chemical black finish for Types 13 and 16.

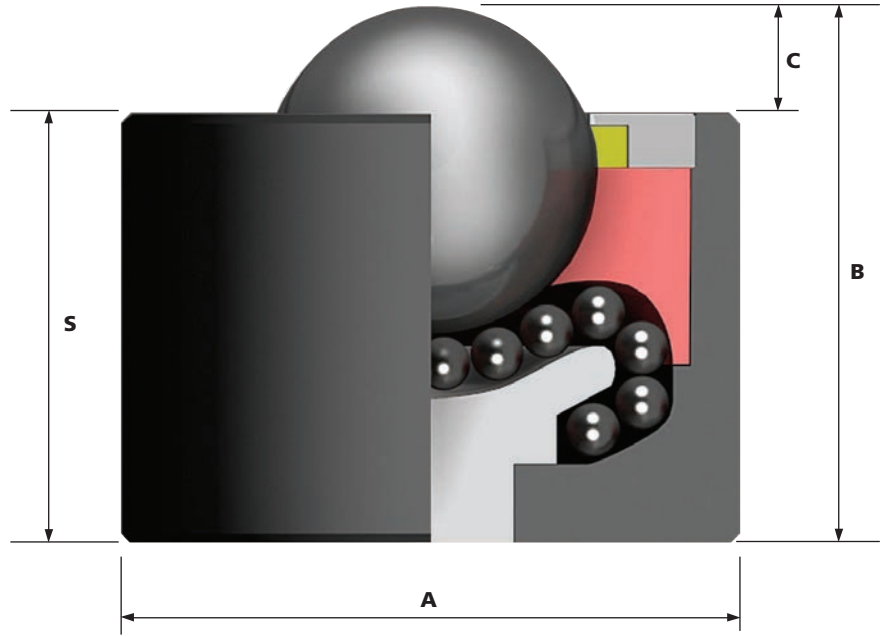
Type 15 Units (all stainless steel) available on request. When using stainless balls, reduce Type 13 load capacity by 33.3%.

All units are machined using CNC machines from one piece of steel, therefore flanges and threads are integral.

All hevi-load units have a electrophoretic black coated body for corrosion resistance

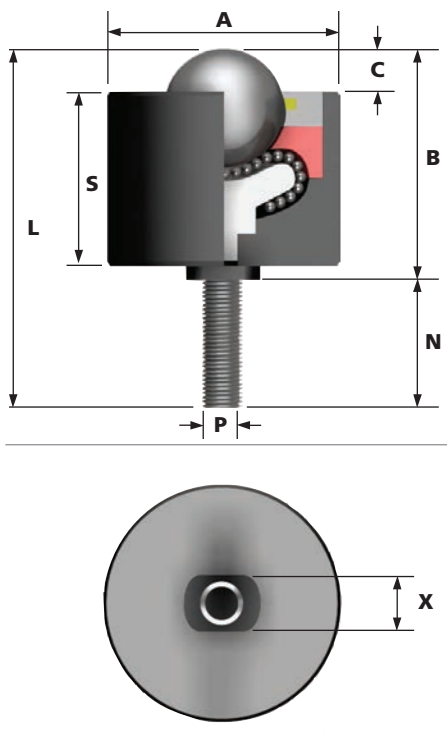
HEVI-LOAD 0

Features: High load capacity, robust body.
The Hevi-Load 7121 is dimensionally compatible with the Hi-Tech 6025-0.



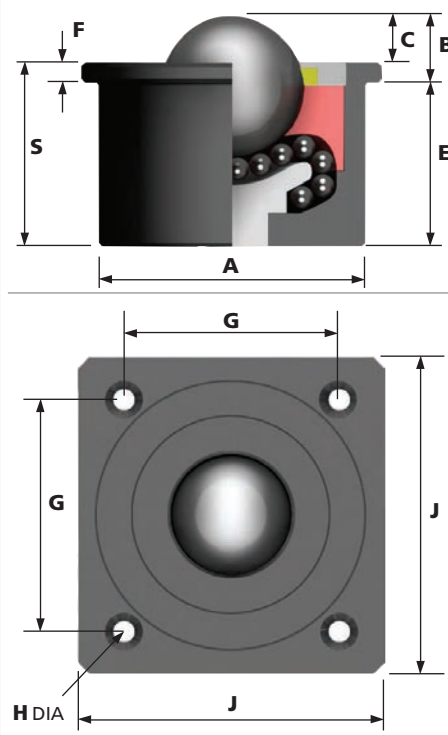
HEVI-LOAD 1

Features: High load capacity, bolt fixing. Two spanner flats for fixing and removing. Drill hole fixing. Maximum tightening torques range from 15Nm for M8 to 25Nm for M24.



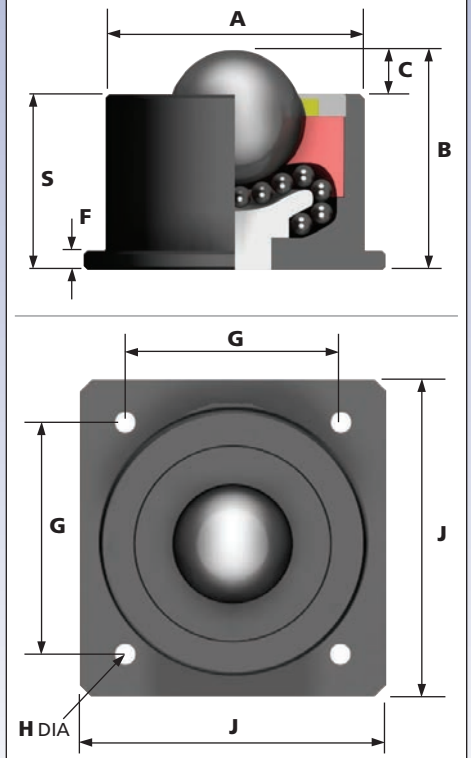
HEVI-LOAD 2

Features: High load capacity, top flange fixing. The Hevi-Load 7125 is dimensionally compatible with the Hi-Tech 6025-2.



HEVI-LOAD 3

Features: High load capacity, bottom flange fixing. Drill hole fixing. The Hevi-Load 7123 is dimensionally compatible with the Hi-Tech 6025-3.



PATTERN	REF No.	BALL SIZE (mm)	WEIGHT (KGS)	DIMENSIONS (mm)							DYNAMIC LOAD CAPACITY (kg)	
				A	B	C	L	N	S	P	X	TYPE 13 Carbon Steel Balls.

HEVI-LOAD 0	7101*	12.7	0.036	20.6	19.6	3.5	-	-	16.1	-	-	35	35
	7120	25.4	0.394	44.5	41.4	5.6	-	-	35.8	-	-	135	135
	7121			50.8	44.7	6.1	-	-	38.6	-	-	320	215
	7150	38.1	1.0	60.0	61.5	13	-	-	48.5	-	-	1000	670
	7170	50.8	5.02	101.6	98.4	14.3	-	-	84.1	-	-	2000	1330
	7180	76.2	14.87	160	145	21	-	-	124	-	-	4000	3000

HEVI-LOAD 1	7110*	12.7	0.042	20.6	19.6	3.5	35.8	16.2	16.1	5/16" UNF	-	35	35
	7106*									M8			
	7127	25.4	0.431	44.5	48.3	5.6	72.4	24.1	35.8	1/2" UNF	19	135	135
	7128									M12			
	7130	38.1	0.581	50.8	51.3	6.1	77	25.7	38.6	M12	19	320	215
	7131									1/2" UNF			
	7153	38.1	1.14	60.0	73.5	13	114.3	40.8	48.5	M20	30	1000	670
	7154									3/4" UNF			
	7172	50.8	5.26	101.6	109.1	14.3	159	49.9	84.1	M24	38	2000	1330
7173	1" UNF												

DIMENSIONS (mm)										DYNAMIC LOAD CAPACITY (kg)	
A	B	C	E	F	G	H	J	S		TYPE 13 Carbon Steel Balls.	TYPE 16 Stainless Steel Balls.
Maximum Diameter	Working Height of Ball	Ball Exposure above Outer Ring	Distance Under Flange to Base	Flange Thickness	Centres of Fixing Holes	Hole Diameter & Fixing Holes	Major Flange Size	Base to Top of Body			

Hevi-Load ball units Ref. No's 7104 and 7103 have a round flange with two fixing holes.

HEVI-LOAD 2	7104*	12.7	0.082	23.8	11.2	3.5	11.2	3.2	34.8 ±0.2	2x3.6	44.5	18.9	35	35
	7124	25.4	0.463	44.5	10.3	5.6	31.3	4.7	44.5 ±0.2	4x5.6	57.2	36	135	135
	7125			50.8	13.0	6.1	32.0	6.9	57.9 ±0.2	4x7.1	76.2	38.9	320	215
	7152	38.1	1.24	60.0	25.4	13	35.8	12.4	-	-	-	48.2	1000	670
	7171	50.8	6.14	101.6	33.3	14.3	65.0	19.0	101.6 ±0.2	4x11	127.0	84	2000	1330

General Tolerance unless stated ±0.3mm

To order, specify REF No and TYPE, i.e. 7101-13.

HEVI-LOAD 3	7103*	12.7	0.086	23.8	22.6	3.5	-	3.2	34.8 ±0.2	2x3.6	44.5	19.1	35	35
	7122	25.4	0.459	44.5	41.4	5.6	-	4.8	44.5 ±0.2	4x5.6	57.2	35.8	135	135
	7123			50.8	45.5	6.4	-	6.3	57.9 ±0.2	4x7.1	76.2	39.1	320	215
	7151	38.1	1.3	60.0	62.2	13	-	12.4	-	-	-	49.2	1000	670
	7174	50.8	5.52	101.6	98.3	14.3	-	9.6	101.6 ±0.2	4x11	127.0	84.0	2000	1330
	7184	76.2	16.1	160	145	21	-	15	145 ±0.2	4x13	175	124	4000	3000

