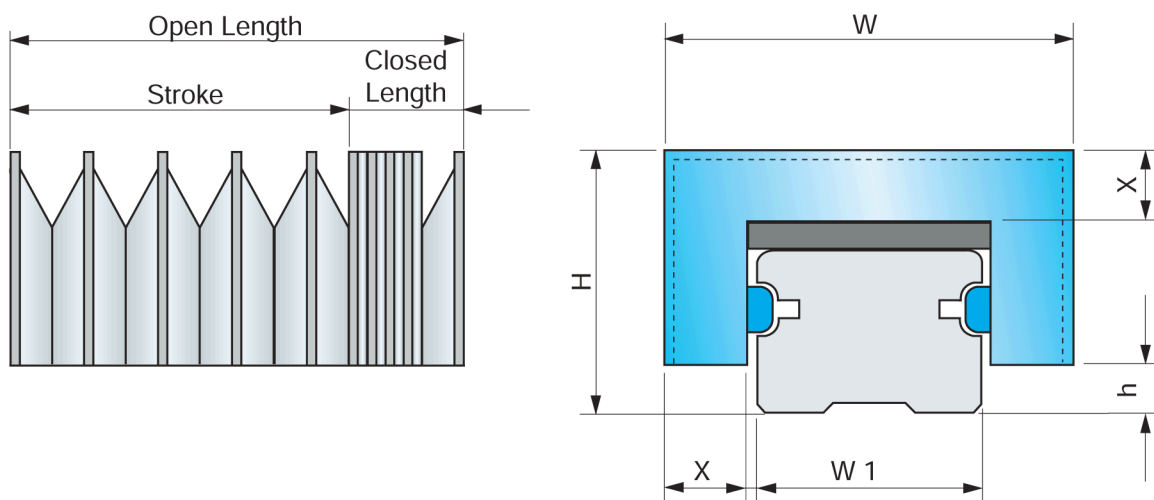


THERMIC-WELDED COVERS



THERMIC-WELDED COVERS FOR LINEAR SLIDES



Example of bellows mounted on linear slides

LIST OF STANDARD MATERIAL

Code	Support	Hood	Closed length for 1000 mm of open length	Availability
S1	PVC 0,50	PVC + Polyester + PVC 0,25 (TEMAT020)	90	Ready to deliver
P1	PVC 0,50	Polyurethane + Polyester + Polyurathane 0,25 (TEMAT015)	90	Ready to deliver
LX	PVC 1,00	Panox/Kevlar Polyurethane + Polyurethane 0,33 (TEMAT169)	150	On request

STANDARD THERMIC-WELDED COVERS SIZE

Slide nominal value W1	Ply height X	Bellows width W	Total height H	Slide deviation h
15	19	56	36	5
20	19	61	40,5	5
25	19	67	43	7,5
30	19	72	51	8
35	19	76,5	51	9
45	19	87,5	61	10

EXAMPLE of the identification code of a bellows

Slide manufacturer	INA
Slide model	KUE
Slide nominal value (W1)	35
Open length (stroke + closed length)	1250
Type of material	S1

For the W1 slide size of 55 and 65, please contact our Technical Dept.

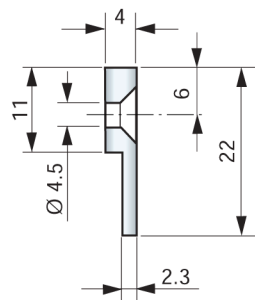
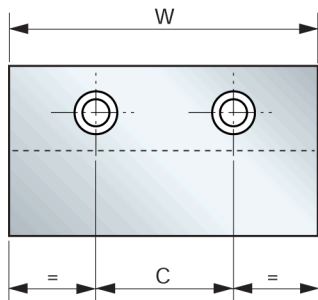
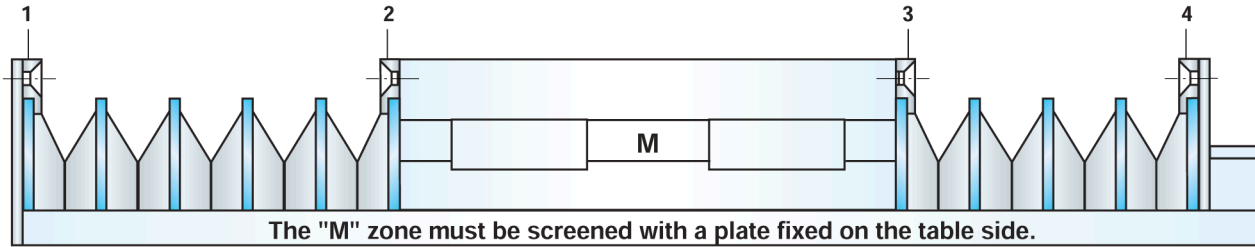


THERMIC-WELDED COVERS

Thermic-Welded Covers Standard Systems for Linear Slides

Solution A: Fastening holdfast

Bellows-fastening standard systems for linear slides

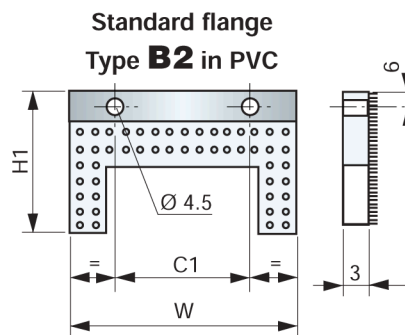
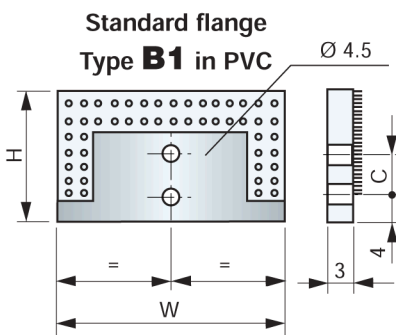
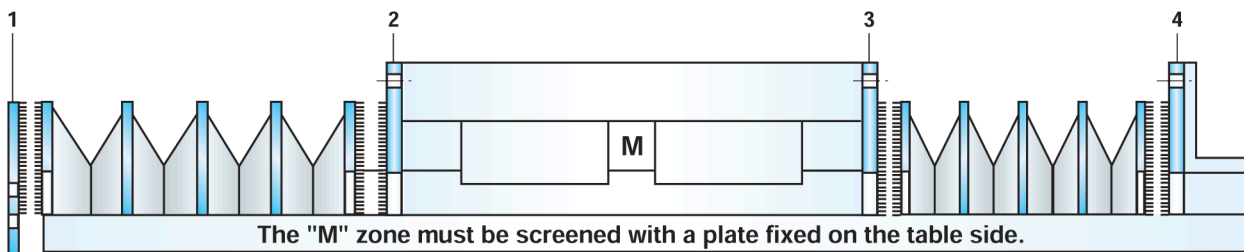


SLIDE	W	C	N. HOLES
15	52	26	2
20	57	29	2
25	63	32	2
30	68	34	2
35	72	36	2
45	83	28	3
55	104	35	3
65	128	32	4

Suitable for bellows fastening in positions 1 - 2 - 3 - 4, with angular or plate supports provided by customers

Solution B: Velcro flange fastening (B1 e B2)

Suitable for dry working places



SLIDE	W	H	C	H1	C1	No. Holes
15	56	36	0	42	26	2
20	61	40,5	8	46,5	29	2
25	67	43	8	46,5	32	2
30	72	51	8	54	34	2
35	76,5	51	18	53	36	2
45	87,5	61	18	62	28	3
55	108	73	18	69	35	3
65	132	90	18	86	32	4

- Pos.1 a) Fix the type 1 standard flange at the head of the slide.
b) Fix the bellows to the type 1 standard flange by pressing strongly.
- Pos.2-3 a) Fix the table to the type 2 standard flange by means of screws.
b) Fix the bellows to the type 2 standard flange by pressing strongly.
- Pos.4 a) Fix the type 2 standard flange to the angular support provided by the customer by means of screws.
b) Fix the bellows to the type 2 standard flange by pressing strongly.

N.B. Fastening options showed in Pos. 1-4 are interchangeable

This technical card represents the standard systems used for the fastening of bellows for linear slides we can provide. For different sizes, please contact our technical department.