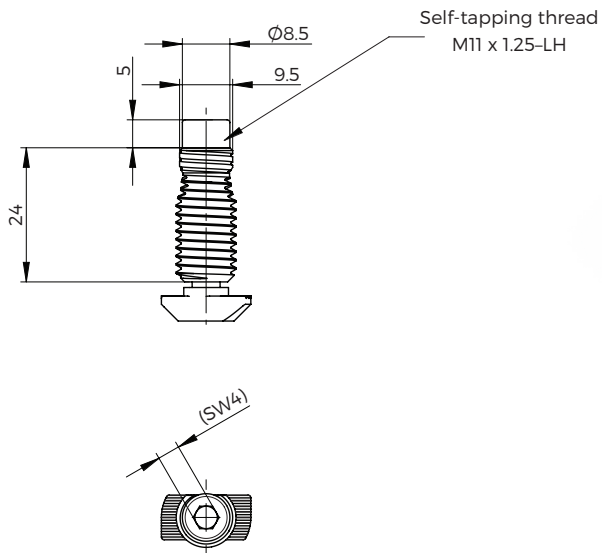


## Coupling set – self-tapping screw U8



Zn  
Fe

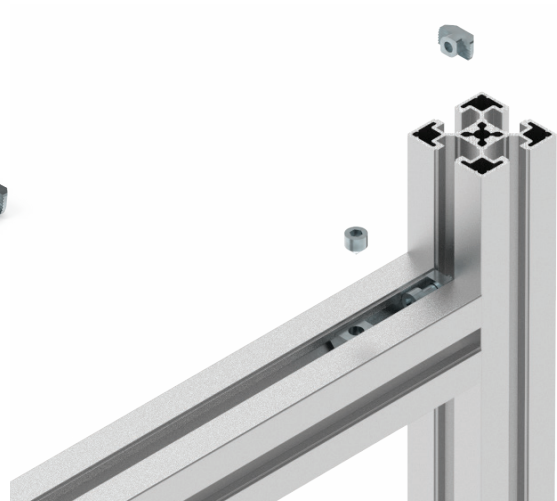
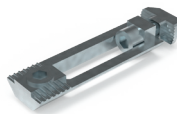
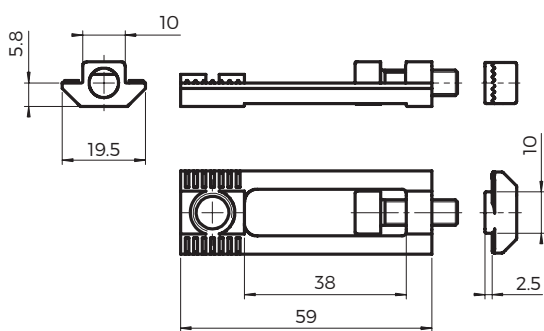


28 g

Code

11173

## Profile coupling element U10



Zn  
Fe



38 g

Code

11136