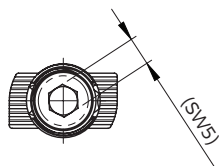
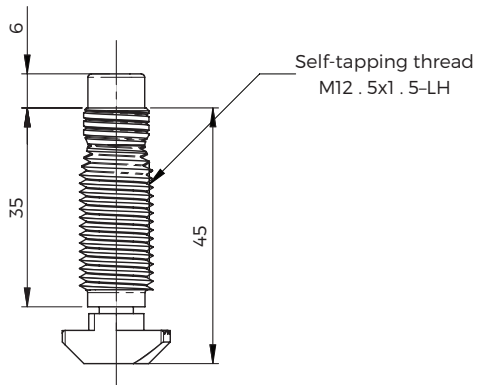


Coupling set – self-tapping screw U10



Zn
Fe

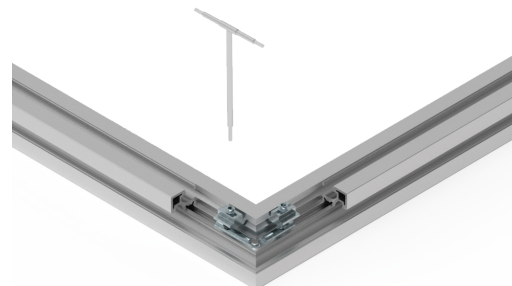
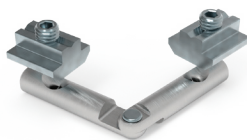
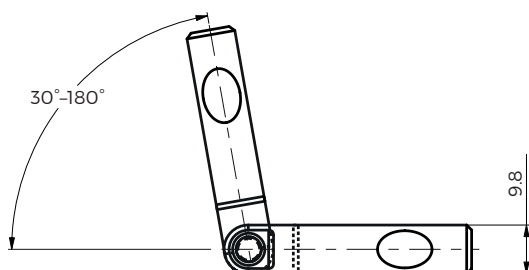
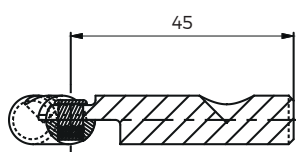


38 g

Code

11174

Coupling element 30° – 180° U10



Zn
Fe



96 g

Code

11175