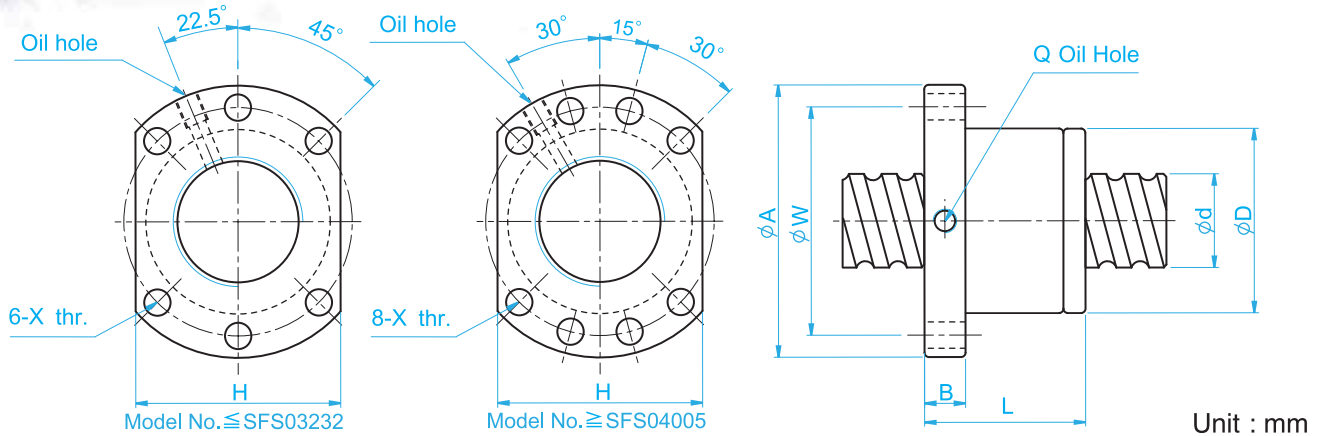


Dimension Table of TBI MOTION Ball Screws

(TYPE) : SFS (DIN 69051 FORM B)

High-Speed Ball Screw



Unit : mm

Model No.	Dimensions														
	d	l	Da	D	A	B	L	W	H	X	Q	n	Ca	Coa	K
△ SFS01205-2.8	12	5	2.5	24	40	10	31	32	30	4.5		2.8x1	661	1316	19
△ SFS01210-2.8		10	2.5	24	40	10	48.5	32	30	4.5		2.8x1	642	1287	19
△ SFS01605-3.8	15	5	2.778	28	48	10	38	38	40	5.5	M6	3.8x1	1112	2507	30
△ SFS01610-2.8		10	2.778	28	48	10	47	38	40	5.5	M6	2.8x1	839	1821	23
△ SFS01616-1.8	15	16	2.778	28	48	10	45	38	40	5.5	M6	1.8x1	552	1137	14
△ SFS01616-2.8		16	2.778	28	48	10	61	38	40	5.5	M6	2.8x1	808	1769	22
△ SFS01620-1.8	20	2.778	28	48	10	57	38	40	5.5	M6	1.8x1	554	1170	14	
△ SFS02005-3.8	20	5	3.175	36	58	10	40	47	44	6.6	M6	3.8x1	1484	3681	37
△ SFS02006-4.8		6	3.175	36	58	10	50	47	44	6.6	M6	4.8x1	1811	4644	47
■ SFS02008-4.8	20	8	3.175	36	58	10	60	47	44	6.6	M6	4.8x1	1863	4861	50
■ SFS02010-3.8		10	3.175	36	58	10	60	47	44	6.6	M6	3.8x1	1516	3833	40
■ SFS02020-1.8	20	20	3.175	36	58	10	57	47	44	6.6	M6	1.8x1	764	1758	19
△ SFS02020-2.8		20	3.175	36	58	10	77	47	44	6.6	M6	2.8x1	1118	2734	29
△ SFS02505-3.8	25	5	3.175	40	62	10	40	51	48	6.6	M6	3.8x1	1650	4658	43
△ SFS02506-4.8		6	3.175	40	62	10	50	51	48	6.6	M6	4.8x1	2015	5879	55
△ SFS02508-4.8	25	8	3.175	40	62	10	60	51	48	6.6	M6	4.8x1	2009	5867	56
■ SFS02510-3.8		10	3.175	40	62	12	62	51	48	6.6	M6	3.8x1	1638	4633	45
■ SFS02525-1.8	25	25	3.175	40	62	12	70	51	48	6.6	M6	1.8x1	843	2199	22
■ SFS02525-2.8		25	3.175	40	62	12	95	51	48	6.6	M6	2.8x1	1232	3421	34
△ SFS03205-3.8	32	5	3.175	50	80	12	42	65	62	9	M6	3.8x1	1839	6026	51
△ SFS03206-4.8		6	3.175	50	80	12	51	65	62	9	M6	4.8x1	2247	7608	65
△ SFS03208-4.8	32	8	3.969	50	80	12	62	65	62	9	M6	4.8x1	3015	9181	68
△ SFS03210-3.8		10	3.969	50	80	13	62	65	62	9	M6	3.8x1	2460	7255	55
■ SFS03220-2.8	31	20	3.969	50	80	12	80	65	62	9	M6	2.8x1	1907	5482	43
■ SFS03232-1.8		32	3.969	50	80	13	84	65	62	9	M6	1.8x1	1257	3426	27
■ SFS03232-2.8	32	32	3.969	50	80	13	116	65	62	9	M6	2.8x1	1838	5329	42
△ SFS04005-3.8		40	5	3.175	63	93	15	45	78	70	9	M8	3.8x1	2018	7589
△ SFS04006-4.8	6		3.175	63	93	14	50	78	70	9	M6	4.8x1	2467	9583	77
△ SFS04008-4.8	40	8	3.969	63	93	14	61	78	70	9	M6	4.8x1	3327	11491	81
△ SFS04010-3.8		10	6.35	63	93	14	63	78	70	9	M8	3.8x1	5035	13943	67
△ SFS04020-2.8	38	20	6.35	63	93	14	82	78	70	9	M8	2.8x1	3959	10715	54
■ SFS04040-1.8		40	6.35	63	93	15	105	78	70	9	M8	1.8x1	2585	6648	34
■ SFS04040-2.8	50	40	6.35	63	93	15	145	78	70	9	M8	2.8x1	3780	10341	52
△ SFS05005-3.8		5	3.175	75	110	15	45	93	85	11	M8	3.8x1	2207	9542	68
△ SFS05010-3.8	48	10	6.35	75	110	18	68	93	85	11	M8	3.8x1	5638	17852	79
△ SFS05012-3.8		12	6.35	75	110	18	75	93	85	11	M8	3.8x1	5632	17836	81
△ SFS05020-3.8	48	20	6.35	75	110	18	108	93	85	11	M8	3.8x1	5749	18485	87
△ SFS05050-1.8		50	6.35	75	110	18	125	93	85	11	M8	1.8x1	2946	8749	42
△ SFS05050-2.8	61	50	6.35	75	110	18	175	93	85	11	M8	2.8x1	4308	13610	65
△ SFS06310-3.8		10	6.35	90	125	18	70	108	95	11	M8	3.8x1	6343	23308	94
■ SFS06316-3.8	61	16	6.35	90	125	18	95	108	95	11	M8	3.8x1	6327	23262	100
■ SFS06320-3.8		20	7.144	95	135	20	116	115	100	13.5	M8	3.8x1	7493	26424	105
△ SFS08010-3.8	77	10	6.35	105	145	20	70	125	110	13.5	M8	3.8x1	6980	29563	105
△ SFS08020-3.8		20	9.525	125	165	25	120	145	130	13.5	M8	3.8x1	12145	43598	128
△ SFS10020-3.8	96	20	12.7	150	202	30	124	176	155	17.5	M8	3.8x1	19633	71408	152