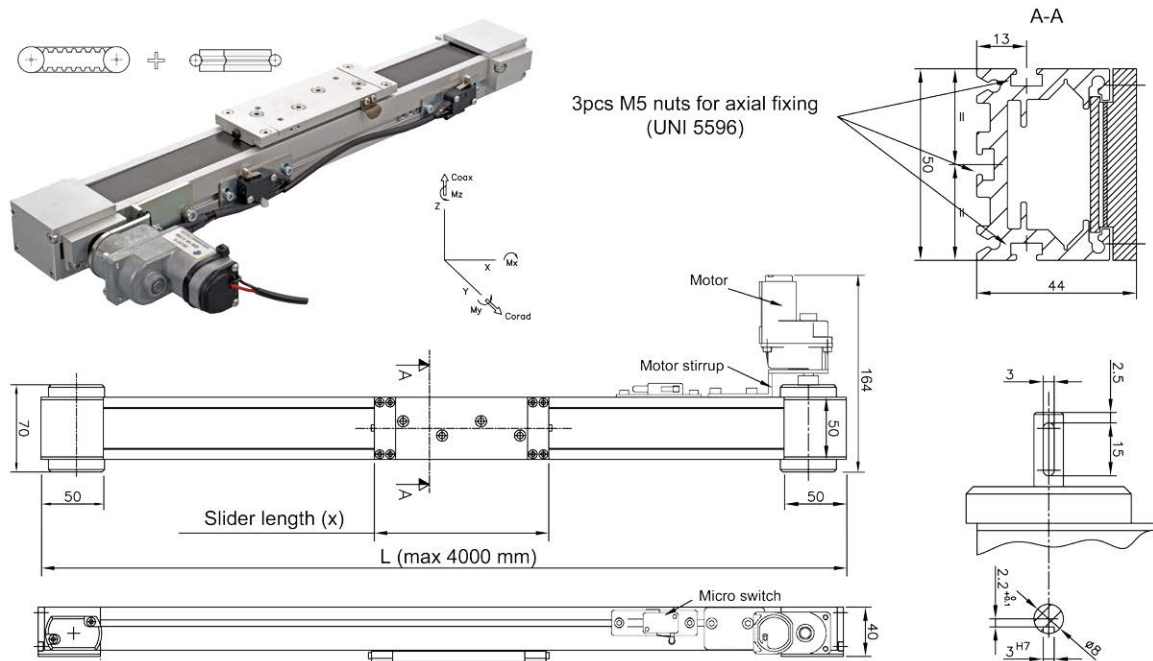


## ECONOMY LINEAR UNITS WITH BELT DRIVES

### GMU TYPE WITH MOTOR , TWO HALL ENCODERS AND MICROSWITCH

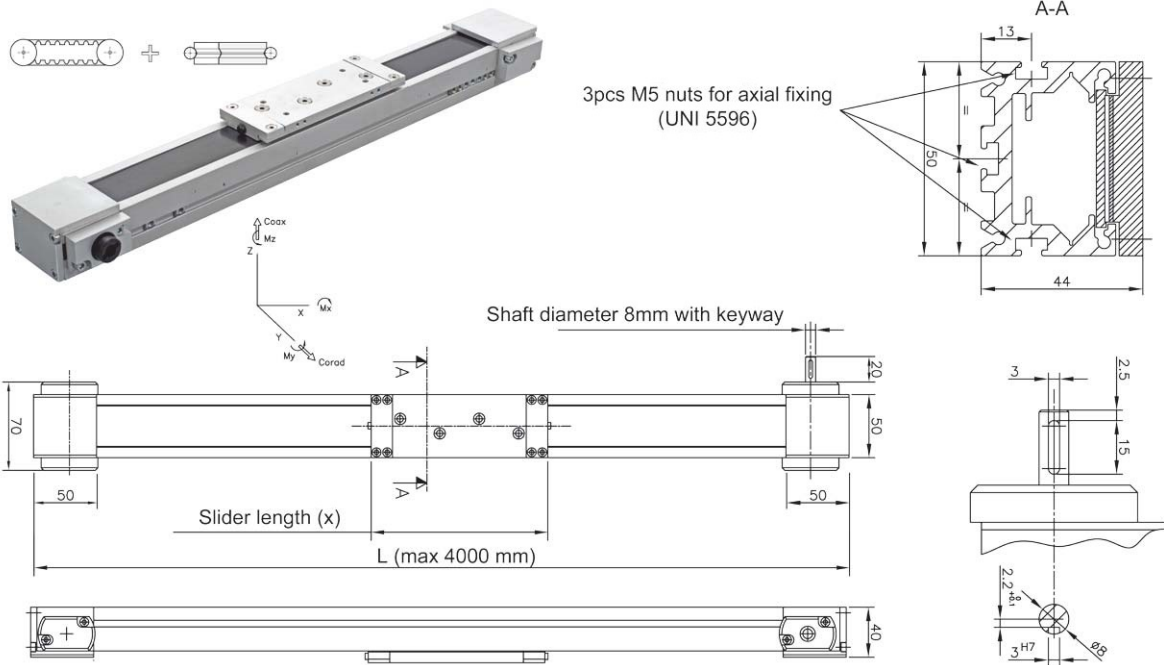


Code	Unit type	Block type	Block length X	Stroke reducing value	Voltage 12 Vdc		Voltage 24 Vdc		Permis. forces		Permiss. torque			
					Load	Speed	Load	Speed	Co rad	Co axial	Mx	My	Mz	
12 Vdc	24 Vdc		(mm)		(N)	(mm/s)	(N)	(mm/s)	(N)					
03.001	78.001	GMU 2A 27	L140	140	-250	50	150	100	300	500	375	5	11	7,5
03.002	78.002		L203	203	-313					1000	750	10	22	15
03.003	78.078		L266	266	-373					1500	1125	15	33	22,5
03.004	78.004	GMU 4A 27	L140	140	-250	70	200	-	-	500	375		11	7,5
03.005	78.005		L203	203	-313					1000	750	10	22	15
03.006	78.006		L266	266	-373					1500	1125	15	33	22,5
03.007	78.007	GMU 1A 48	L140	140	-250	50	70	100	140	500	375	5	11	7,5
03.008	78.008		L203	203	-313					1000	750	10	22	15
03.009	78.009		L266	266	-373					1500	1125	15	33	22,5
03.010	78.010	GMU 2A 48	L140	140	-250	80	90	160	180	500	375	5	11	7,5
03.011	78.011		L203	203	-313					1000	750	10	22	15
03.012	78.012		L266	266	-373					1500	1125	15	33	22,5
03.013	78.013	GMU 4A 48	L140	140	-250	120	110	-	-	500	375	5	11	7,5
03.014	78.014		L203	203	-313					1000	750	10	22	15
03.015	78.015		L266	266	-373					1500	1125	15	33	22,5

Code		Unit type	Block type	Block length X	Stroke reducing value	Voltage 12 Vdc		Voltage 24 Vdc		Permis. forces		Permiss. torque		
						Load	Speed	Load	Speed	Co rad	Co axial	Mx	My	Mz
12 Vdc	24 Vdc			(mm)	(N)	(mm/s)	(N)	(mm/s)	(N)	(Nm)				
03.016	78.016	GMU 1A 108	L140	140	-250	140	25	280	50	500	375	5	11	7,5
03.017	78.017		L203	203	-313					1000	750	10	22	15
03.018	78.018		L266	266	-373					1500	1125	15	33	22,5
03.019	78.019	GMU 2A 108	L140	140	-250	180	35	360	50	500	375	5	11	7,5
03.020	78.020		L203	203	-313					1000	750	10	22	15
03.021	78.021		L266	266	-373					1500	1125	15	33	22,5
03.022	78.022	GMU 4A 108	L140	140	-250	220	40	-	-	500	375	5	11	7,5
03.023	78.023		L203	203	-313					1000	750	10	22	15
03.024	78.024		L266	266	-373					1500	1125	15	33	22,5
03.025	78.025	GMU 1A 240	L140	140	-250	250	50	-	-	500	375	5	11	7,5
03.026	78.026		L203	203	-313					1000	750	10	22	15
03.027	78.027		L266	266	-373					1500	1125	15	33	22,5
03.028	78.028	GMU 1A 540	L140	140	-250	500	5	-	-	500	375	5	11	7,5
03.029	78.029		L203	203	-313					1000	750	10	22	15
03.030	78.030		L266	266	-373					1500	1125	15	33	22,5

Working temperature: -20 °C + 80 °C

MAU TYPE

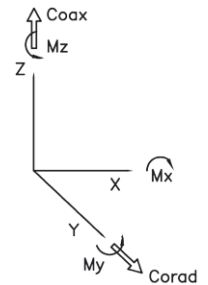


Code	Unit type	Block type	Block length X (mm)	Stroke reducing value (mm)	Load (N)	Permis. forces (N)		Permiss. torque (Nm)		
						Co rad	Co axial	Mx	My	Mz
05.001	MAU 140	L140	140	-250	300	500	375	5	11	7,5
05.002	MAU 203	L203	203	-313	600	1000	750	10	22	15
05.003	MAU 266	L266	266	-373	1200	1500	1125	15	33	22,5

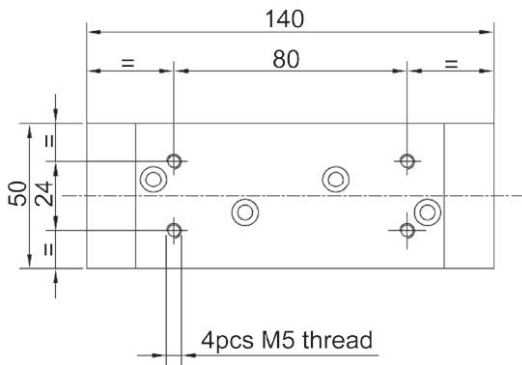
The MA type not including the motor and microswitch!

Working temperature: -20 °C + 80 °C

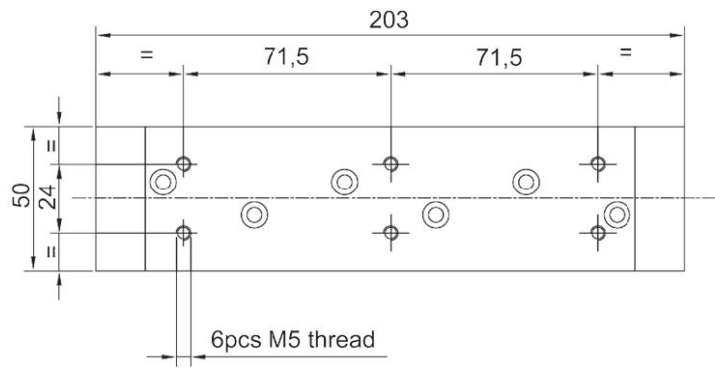
Maximum working speed: 200-300 mm/s



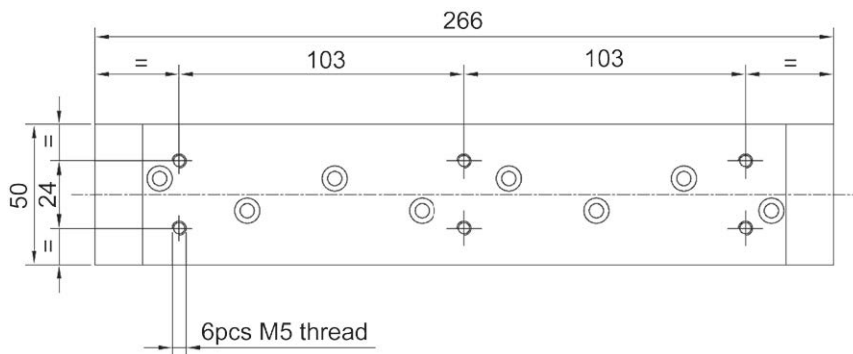
**GMU and MAU type of slider**



*L140 type of slider sizes*



*L203 type of slider sizes*



*L266 type of slider sizes*

**Accessories for MA and GM type linear units**

Code	Type	Voltage	Note
		(V)	
85.006.002	Hall encoder with 2 probes	4,5 - 30	Position and direction survey
85.006.005	Microswitch	-	-